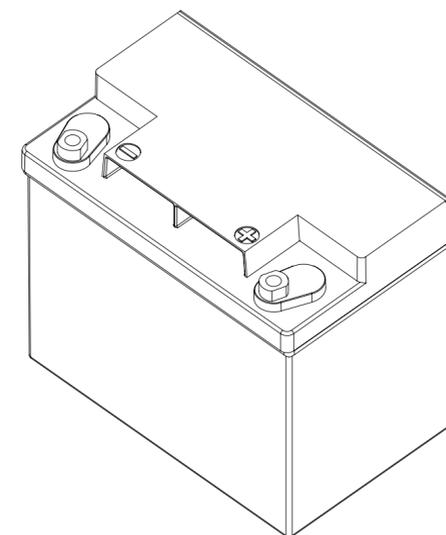
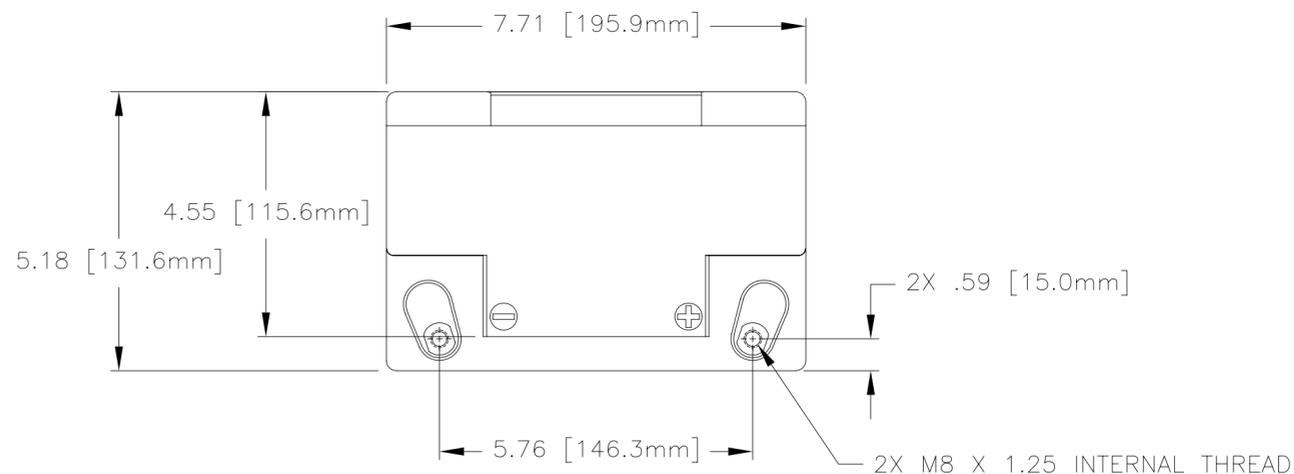


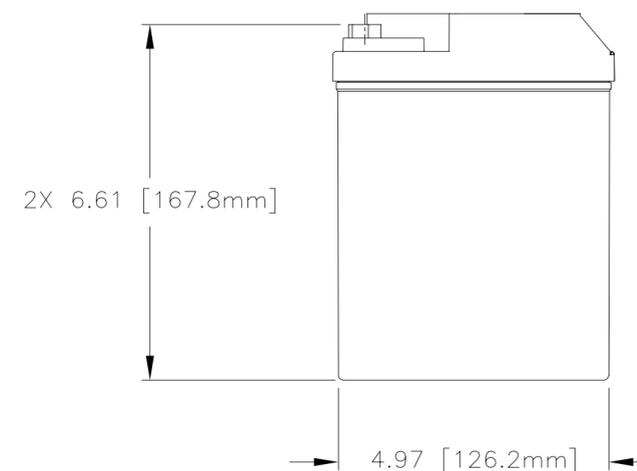
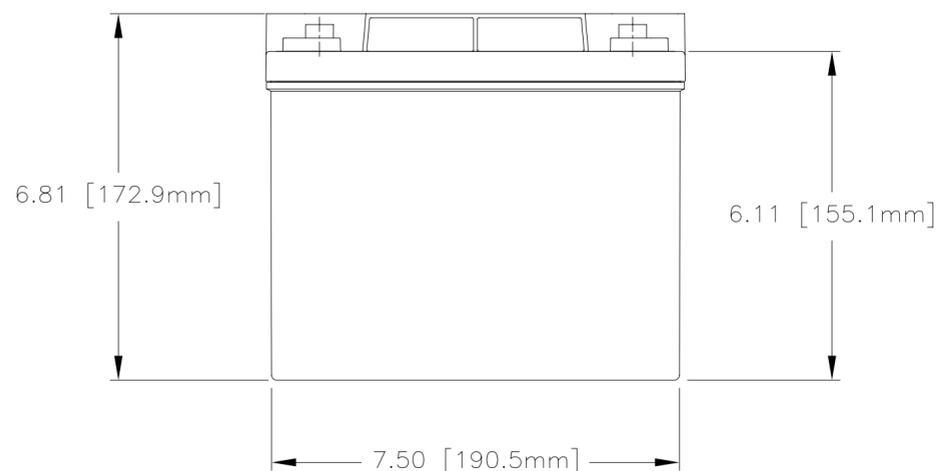
NOTES: UNLESS OTHERWISE SPECIFIED

1. MANUFACTURED AND INSPECTED IAW AS9100 QUALITY SYSTEM REQUIREMENTS.
2. ABBREVIATION USED IN TITLE IS: VALVE REGULATED SEALED LEAD ACID (VRSLA).
3. RECOMMENDED SUBSTITUTE FOR OBSOLETE PN RG 25M (AC 54).
4. SEE DRAWING NO. CB-00212 AND PROCEDURE P-1000 FOR ASSEMBLY AND TEST INSTRUCTION. PROCEDURES AND ASSEMBLY DRAWINGS ARE FOR INTERNAL USE ONLY.
5. BATTERIES ARE RATED IAW INTERNATIONAL ELECTROTECHNICAL COMMISSION STANDARD 60952-1 AND RTCA STANDARD DO-293, UNLESS OTHERWISE NOTED.
6. GENERAL AVIATION BATTERIES ARE NOT DESIGNED FOR REPETITIVE TURBINE ENGINE STARTING.

REVISIONS			
REV	DESCRIPTION	DATE	APPROVED
G	REVISED BATTERY COVER	4/30/99	MK
H	CHANGED XC RATED CAPACITY FROM 26 AH TO 24 AH	7/5/99	JBT
J	REVISED RG-25XC WEIGHT FROM 23.0 TO 23.5	11/15/99	JBT
K	REVISED POWER RATINGS AND NOTES	2/17/10	JBT



REFERENCE VIEW



PART NUMBER	RG-25	RG-25XC
MAXIMUM WEIGHT	22.75 LBS [10.3 KG]	23.5 LBS [10.7 KG]
RATED CAPACITY, C ₁	22 AH	24 AH
POWER RATING AT 23°C	lpp 700 A, lpr 500 A	lpp 850 A, lpr 600 A
POWER RATING AT -18°C	lpp 450 A, lpr 375 A	lpp 600 A, lpr 500 A
POWER RATING AT -30°C	lpp 325 A, lpr 250 A	lpp 475 A, lpr 400 A

ENVELOPE DRAWING

QTY REQD	CAGE CODE	PART OR IDENTIFYING NO.	NOMENCLATURE OR DESCRIPTION	MATERIAL SPECIFICATION	ITEM NO.
PARTS LIST					
UNLESS OTHERWISE SPECIFIED DIMENSIONS ARE IN INCHES TOLERANCES ARE: FRACTIONS DECIMALS ANGLES .XX ± .06 .XXX ± .060			CONTRACT NO.		
TREATMENT NONE			APPROVALS DATE		
FINISH NONE			DRAWN D.B. 7/1/91		
SIMILAR TO			CHECKED DG 7/1/91		
ACT WT CALC WT			APPROVED DG 7/1/91		
ISSUED JJ 2/18/10			TITLE BATTERY, VRSLA, 12 VOLT, RG-25 SERIES		
SCALE NONE		SIZE C		CAGE CODE 63017	
SHEET 1 OF 1		DWG NO. RG-25		REV K	