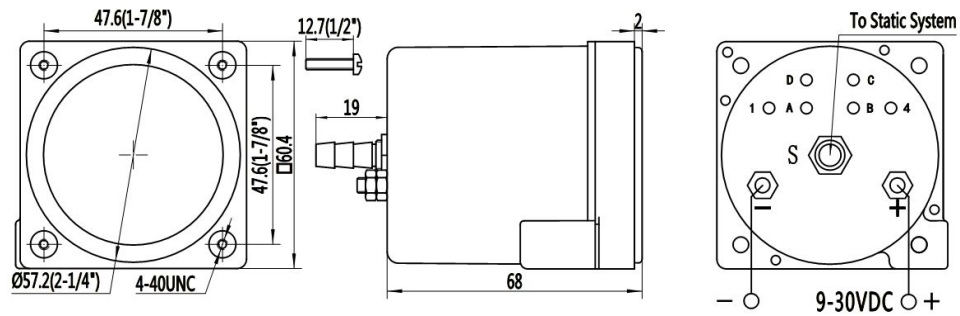


Vertical speed indicator Guide



Vertical speed indicator scale drawing

Specifications :

Operational Temperature: $-20^{\circ}\text{C}\sim 50^{\circ}\text{C}$

Operational Voltage: $9\sim 30\text{ VDC}$

Operational Current: $\leq 35\text{mA}$

Vertical speed indicator Standards: HB7697

Weight: $\leq 120\text{g}$

Measures: $\pm 2000\text{ ft/min}$; $\pm 3000\text{ ft/min}$; $\pm 10\text{ m/s}$