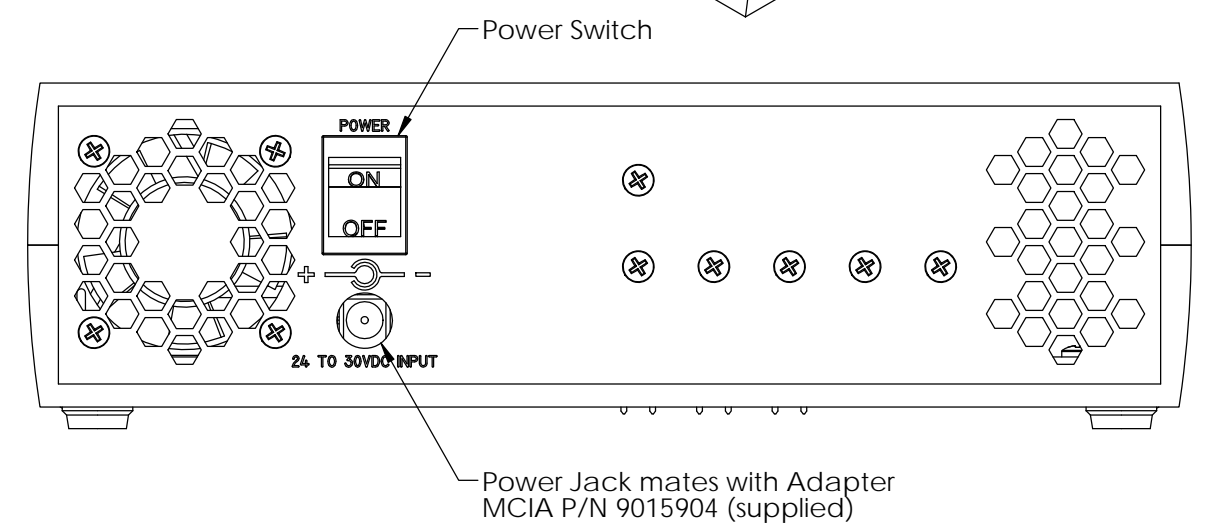
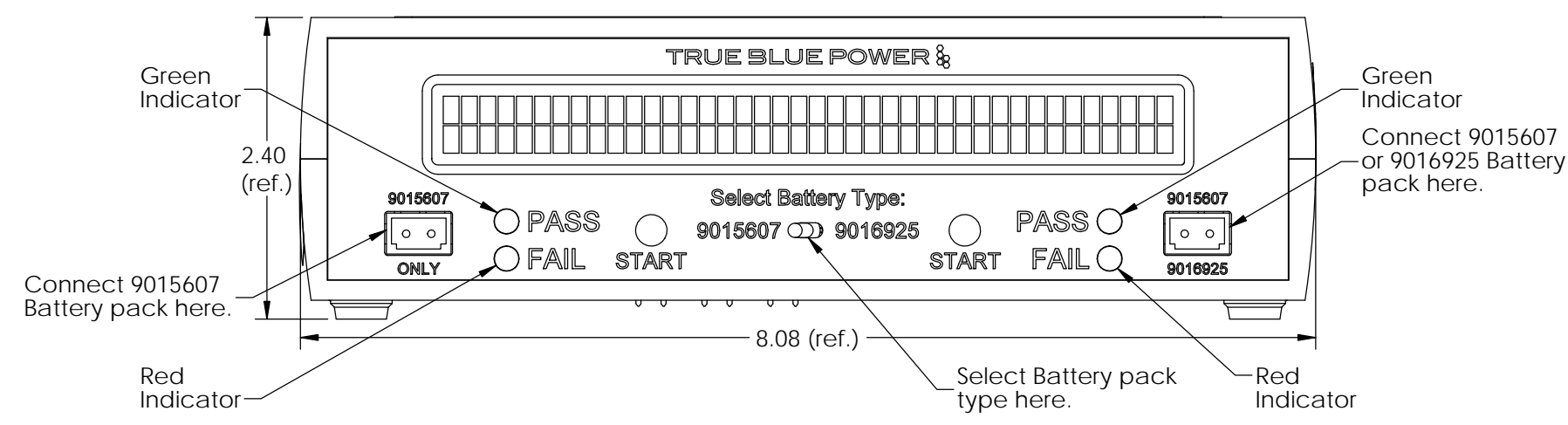
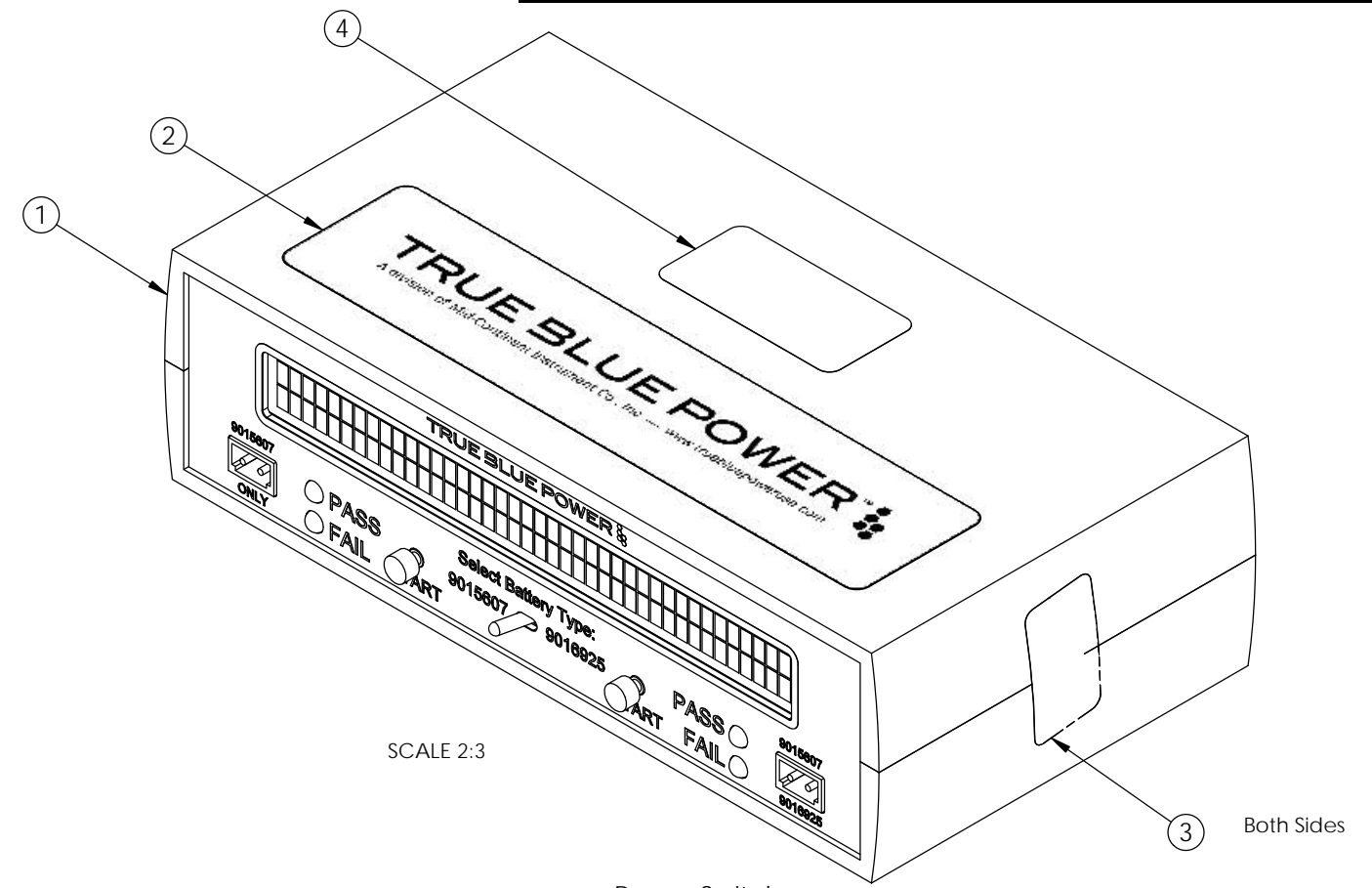
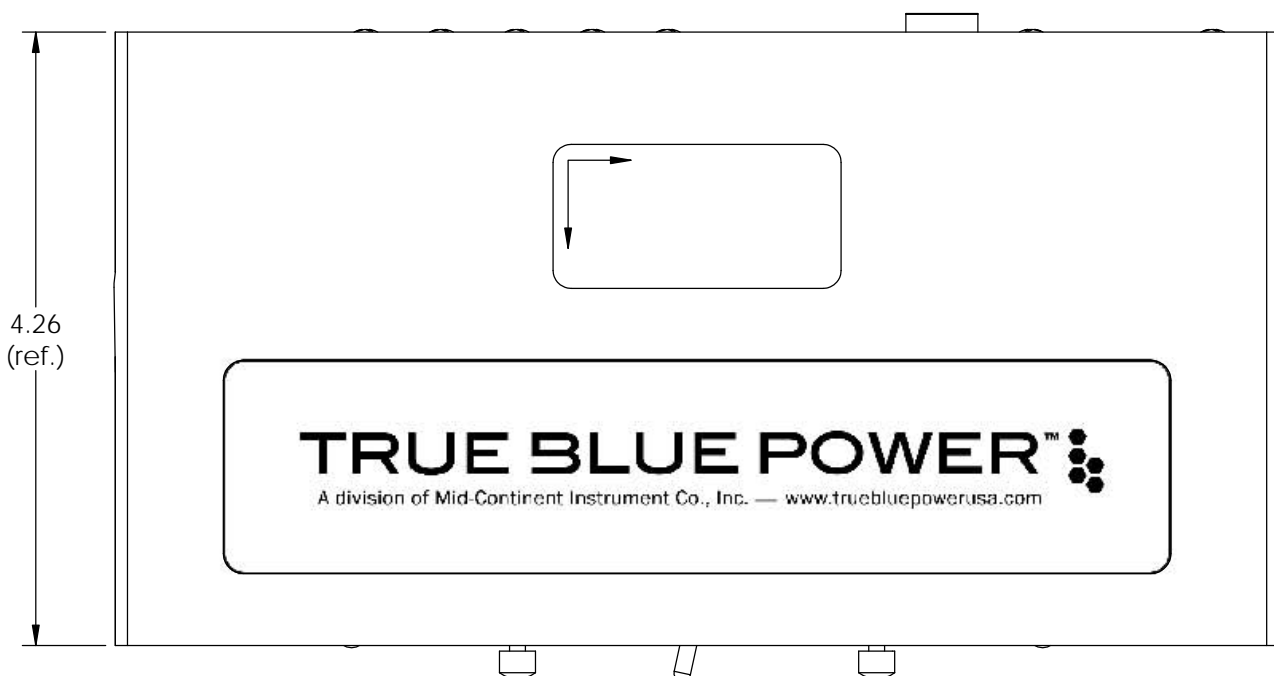


Configuration	
Dash #	
-1	As shown

Revision				
ECO	Rev.	Description	Date	Approved
	A	Production release.	4/25/12	MKN/JDS
5823	B	Logo update and addition of model name.	08/24/12	BMC/BCM
6182	C	Changed Warr. Decal to 6018956-1 (TBP version).	05/09/14	Sch/WVC



- Note:
- 1) The Battery Charger & Tester Box is to be used with Battery Packs 9015607 and 9016925 only.
  - 2) Two 9015607 Battery Packs or one 9016925 and one 9015607 may be charged and tested simultaneously. Also, one 9015607 or one 9016925 may be charged individually.
  - 3) The charging circuit allows the user to charge the Battery Packs in any condition. Once full charge has been reached, the user can proceed to run the Battery condition test by pushing the Start button once, or leave the battery connected to automatically maintain a full charge. See product manual 9017682 for more details and complete operation instructions.
  - 4) Fully charging a 9015607 Battery Pack in good condition may require up to 9 hours, while fully charging a 9016925 Battery Pack in good condition may require up to 8 hours.
  - 5) Built in voltage protection circuit.
  - 6) Weight: 1.2lb max.
  - 7) Input Power: 24-30 VDC, 1.0A max.
  - 8) Switching Power Supply/AC Adaptor (MCIA P/N 9015904) is supplied. (Input: 100-240VAC, 50/60Hz 30VA, Output: 24 VDC, 1.25A)

Item	Qty	Part Number	Description
1	1	9017652-1	Assy, Battery Charger/Tester
2	1	9017130	Label, True Blue Power
3	2	6018956-1	Decal, Warranty TBP
4	1	9017681-1	Nameplate

UNLESS OTHERWISE SPECIFIED, ALL DIMENSIONS ARE IN INCHES. TOLERANCE: FRACTIONAL=±1/64 .XX=±0.015 .XXX=±0.005 .XXXX=±0.002 ANGULAR=±0.5° CONCENTRICITY: 0.005 TIR BREAK ALL SHARP EDGES THREADS PER MIL-S-7742	DRAWN: MKN 4/25/2012	This document discloses proprietary information of Mid-Continent Instrument Co., Inc. It may be reproduced or disclosed only with written permission of Mid-Continent Instrument Co., and is not to be used in any way detrimental to the interests of Mid-Continent Instrument Co., Inc.	<b>TRUE BLUE POWER™</b> A division of Mid-Continent Instrument Co., Inc.
	APPROVED: JDS 5/1/2012		
SCALE: 3:4		DO NOT SCALE THIS DRAWING	SHEET: 1 of 1