

Installation Manual and Operating Instructions

# TRUE BLUE POWER

**TC240**

DC/DC POWER  
CONVERTER

Manual Number  
9018640



Revision E • May 7, 2020

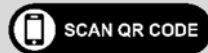
## **FOREWORD**

This manual provides information intended for use by persons who, in accordance with current regulatory requirements, are qualified to install this equipment. If further information is required, please contact:

True Blue Power  
c/o Mid-Continent Instrument Co., Inc.  
Attn: Customer Service Dept.  
9400 E. 34th St. N.  
Wichita, KS 67226 USA  
Phone 316-630-0101  
Fax 316-630-0723  
www.truebluepowerusa.com  
www.mcico.com

We welcome your comments concerning this manual. Although every effort has been made to keep it free of errors, some may occur. When reporting a specific problem, please describe it briefly and include the manual part number, the paragraph/figure/table number and the page number. Send your comments to:

True Blue Power  
c/o Mid-Continent Instrument Co., Inc.  
Attn: Technical Publications  
9400 E. 34<sup>th</sup> St. N.  
Wichita, KS 67226 USA  
Phone 316-630-0101  
Fax 316-630-0723



Download the current version of this installation manual using your smartphone or tablet.

© Copyright 2016  
Mid-Continent Instrument Co., Inc.

**TABLE OF CONTENTS**

<b><u>SECTION 1</u></b>	<b><u>GENERAL DESCRIPTION</u></b>	<b><u>4</u></b>
1.1	INTRODUCTION	4
1.2	TECHNICAL SPECIFICATIONS	5
<b><u>SECTION 2</u></b>	<b><u>PRE-INSTALLATION CONSIDERATIONS</u></b>	<b><u>6</u></b>
2.1	COOLING	6
2.2	EQUIPMENT LOCATION	6
2.3	ROUTING OF CABLES	6
2.4	LIMITATIONS	7
2.5	MODIFICATION	8
<b><u>SECTION 3</u></b>	<b><u>INSTALLATION</u></b>	<b><u>9</u></b>
3.1	GENERAL INFORMATION	9
3.2	UNPACKING AND INSPECTING EQUIPMENT	9
3.3	CABLE HARNESS	9
3.4	MOUNTING	13
3.5	INSTALLATION CAUTION	13
3.6	INSTALLATION COMPLETION	13
<b><u>SECTION 4</u></b>	<b><u>OPERATION</u></b>	<b><u>14</u></b>
4.1	ELECTRICAL PERFORMANCE	14
4.2	PROTECTIVE FEATURES	14
<b><u>SECTION 5</u></b>	<b><u>CONFORMANCE</u></b>	<b><u>16</u></b>
5.1	INSTRUCTIONS FOR CONTINUED AIRWORTHINESS	16
5.2	ENVIRONMENTAL QUALIFICATION STATEMENT	16

**REVISION HISTORY**

<b>Rev</b>	<b>Date</b>	<b>Detail</b>	<b>Approved</b>
A	05/23/2016	Initial release	SHO
B	06/22/2016	Corrected typo, page 12, 4.2.3, 'maximum.' 5.2 Environmental Qualification Statement: Section 4, changed from F2 to F1; Section 4.5.1 Operating Low Temp changed from -55C to -40C Section 4.5.3 Operating High Temp changed from +70C to +55C.	KJW
C	12/02/2016	Corrected description, Figure 3.3. Revised the Environmental Qualification Statement table for Temperature and Altitude, Section 4.	KJW
D	10/24/2017	Changed Environmental Qualification Statement to add helicopter vibe levels.	KJW
E	05/07/2020	Updated style and brand to meet Marketing and Engineering guidelines.	DLR

## **SECTION 1 GENERAL DESCRIPTION**

### **1.1 INTRODUCTION**

The model TC240 DC/DC Power Converter is a lightweight power converter that translates a direct current (DC) input of 28 volts to an adjustable 5 to 18 volt direct current (DC) output.

The input operating voltage (24–32VDC) makes the TC240 suitable for nearly any common general, business, or commercial aviation application and provides an adjustable DC output voltage of 5 to 18VDC. The unit is rated for a nominal output of 240 watts to power avionics, instrumentation, personal charging, lighting, and many other applications. The TC240 DC/DC Converter is FAA certified to TSO-C71 and tested to rigorous environmental standards and levels of RTCA DO-160G. The small size and light weight in conjunction with its installation flexibility (inside or outside the pressure vessel) make it an ideal choice for aircraft power needs while reducing the challenges associated with other similar products.

Highlighted features include short circuit protection, overload capability, low input voltage shut-down, temperature monitoring, reverse polarity protection, a self-resettable over-temperature disable and an optional remote enable (on/off) feature.

The TC240 DC/DC converter has a robust Military-rated circular connector and a rugged aluminum case which dissipates heat and provides excellent mechanical strength. It is engineered to require no external cooling and contains no internal fans or cooling methods, which saves energy, reduces weight and allows more flexible installation locations. At only 0.70 pounds, it is lighter and smaller than any other certified solution in the aviation market today.

## 1.2 TECHNICAL SPECIFICATIONS

<b>Electrical Attributes</b>	
Input Voltage	Rated 28VDC nominal, Operating 24 – 32VDC.
Input Current (full load)	10 amps max at nominal input voltage
Output Voltage	5 – 18VDC adjustable
Output Power	240 watts nominal
Efficiency	95% nominal

**Table 1.1**

<b>Physical Attributes</b>	
Weight	0.70 lbs (0.32 kg)
Dimensions (not including connector mate)	2.75 inches long x 3.75 inches wide x 1.29 inches high (69.9 mm long x 95.3 mm wide x 32.8 mm high)
Mating Connector Kit	6430240-1   MCIA P/N 9018654
	6430240-2   MCIA P/N 9018655
Mounting	Base mount – orientation not critical

**Table 1.2**

<b>Qualifications</b>	
Certification	FAA TSO-C71
Environmental Qualification	RTCA DO-160G Environmental Category; See Section 5.2
Altitude	-15,000 feet to +55,000 feet
Temperature	-55°C to +70°C (-67°F to +158°F)

**Table 1.3**

## **SECTION 2 PRE-INSTALLATION CONSIDERATIONS**

### **2.1 COOLING**

The TC240 product does not require external cooling or contain internal active cooling. Cooling of the unit occurs exclusively through passive conduction through the base or radiated cooling across the metal case. Additional cooling can be realized through convection (exposure to free moving air) or conduction (mounting to a thermally conductive metal surface). These methods are not required to achieve rated performance but can help prevent potential overheating and extend life when the unit is operated at full power or during overload conditions. Specifically, mounting the unit to a metal surface is preferred, but not required.

### **2.2 EQUIPMENT LOCATION**

The TC240 is designed for mounting flexibility, allowing for installation inside or outside the pressure vessel with no requirement for temperature control. In addition to altitude and temperature resistance, the unit is also designed to withstand high levels of condensing humidity. However, installation locations where the unit could be subject to standing or direct water exposure should be avoided. The unit can be mounted in any orientation. Clearance should be provided for the mating connector and may require as much as five inches past the unit connector to allow for back shell access to the connector.

### **2.3 ROUTING OF CABLES**

The wires and cable bundle associated with the unit are heavy gauge wire and carry significant power. Be aware of routing cables near other electronics or with other wire bundles that may be susceptible to high energy flow.

Avoid sharp bends in cabling and routing near aircraft control cables. Also avoid proximity and contact with aircraft structures, avionics equipment, or other obstructions that could chafe wires during flight and cause undesirable effects.

## 2.4 LIMITATIONS

The conditions and tests for TSO approval of this article are minimum performance standards. Those installing this article, on or in a specific type or class of aircraft, must determine that the aircraft installation conditions are within the TSO standards. TSO articles must receive additional installation approval prior to being operated on each aircraft. The article may be installed only according to 14 CFR Part 43 or the applicable airworthiness requirements.

The TC240 is designed to operate at full rated load (per Figure 4.1) throughout the specified environmental temperature range (per section 5.2). Note that when operating at full power, the unit case can be hot to the touch. Reference the following examples of selected conditions when operating at *maximum* rated load of 240 watts (stabilized after 20 minutes):

- At an ambient test temperature of +23°C when not mounted to a metal surface, the maximum case temperature can reach +62°C. (+42°C when mounted to a metal surface)
- At an ambient test temperature of +70°C when not mounted to a metal surface, the maximum case temperature can reach +87°C. (+68°C when mounted to a metal surface)

Caution and consideration should be taken with respect to aircraft installation and operation.

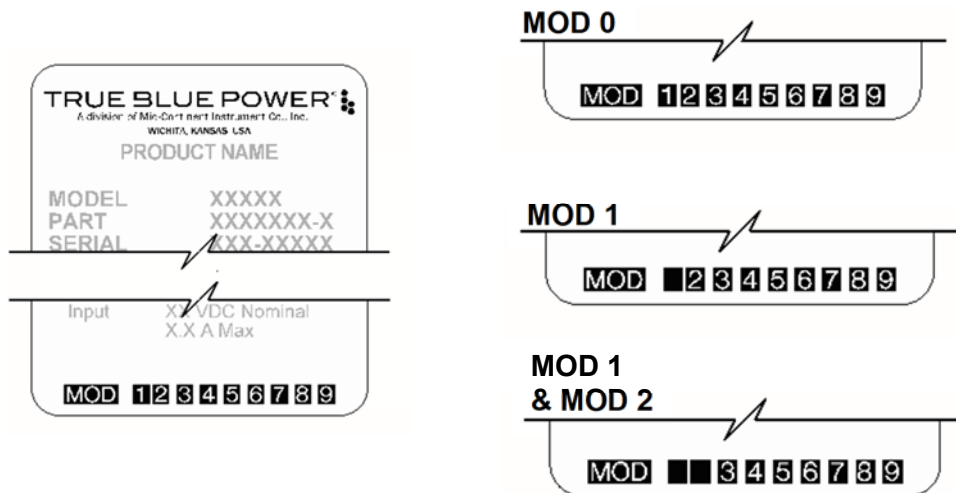


## 2.5 MODIFICATION

This product has a nameplate that identifies the manufacturer, part number, description, certification(s) and technical specifications of the unit. It also includes the “MOD” or modification number representing notable changes in the hardware design of the unit.

Modification (MOD) 0 is the initial release of the product and is identified on the nameplate by the lack of marking on the MOD numbers 1 through 9 (i.e. 1-9 are visible). All subsequent modifications are identified on the nameplate by the marking/blacking out of that particular MOD number (i.e. for MOD 1, the number 1 is not visible and 2-9 are visible - see Figure 2.1 for examples). MODs do not have to be sequentially inclusive and may be applied independent of each other.

For additional details regarding specific changes associated with each MOD status refer to the product published Service Bulletins at [www.truebluepowerusa.com](http://www.truebluepowerusa.com).



**Figure 2.1**  
**Nameplate and MOD Status Example**

## SECTION 3 INSTALLATION

### 3.1 GENERAL INFORMATION

This section contains interconnect diagrams, mounting dimensions and other information pertaining to the installation of the TC240 DC/DC Converter. After installation of cabling and before installation of the equipment, ensure that power is applied only to the pins specified in the interconnect diagram.

The following two versions of the unit are available. See Section 4.2.1 for additional details of the remote enable (on/off) feature and installation details within Section 3.

Part Number	Remote On/Off
6430240-1	No (output always enabled)
6430240-2	Yes (enable signal required)

### 3.2 UNPACKING AND INSPECTING EQUIPMENT

When unpacking this equipment, make a visual inspection for evidence of any damage that may have occurred during shipment. The following parts should be included:

A. DC/DC Converter	MCIA P/N 6430240-( )
B. Connector Kit	
i. 6430240-1	MCIA P/N 9018654
ii. 6430240-2	MCIA P/N 9018655
C. Installation Manual	MCIA P/N 9018640

Equipment not provided:

A. Mounting Hardware	Four 6-32 x 1" (min) pan head screws #6 lock washers (optional)
B. Cable Harness Wire	See Section 3.3 for specifications

### 3.3 CABLE HARNESS

Construct the cable harness with regards to the instructions below, and using Connector Pinout of Table 3.1 or 3.2 and referencing Typical Wiring Diagrams of Figures 3.3 or 3.4, as applicable.

Refer to Section 2: Pre-Installation Considerations in regards to routing precautions.

#### 3.3.1 Wire Gauge Selection

Use of PTFE, ETFE, TFE, Teflon, or Tefzel insulated wire is recommended for aircraft use. Use the following wire gauges for each of the pins in the connector:

Pins A and B	–	16 AWG stranded or solid
Pins C	–	14 AWG or 16 AWG stranded or solid
Pins D (for -2)	–	24 AWG stranded or solid

**3.3.2 Pin Assignment Information**

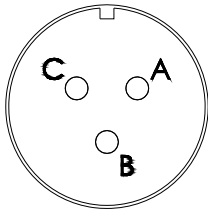
Positive DC input – (24-32 VDC). Connect pin B to aircraft positive 28 VDC bus.  
 (20 Amp circuit breaker recommended)

DC Output – Connect pin C as the positive output voltage (adjustable)

DC Return – Connect pin A to input power return or aircraft ground.

Enable – 6430240-1: Not available

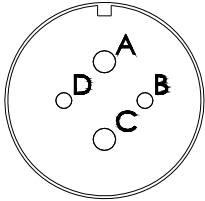
6430240-2: Pin D to be grounded to enable power output  
 (via switch or other means. See section 4.2.1 and figure 3.4 for related details)



**Figure 3.1**  
**Pinout View of 6430240-1 Unit Connector**

Connector Pinout	
A	DC Power Return
B	DC Power Input
C	DC Power Output

**Table 3.1**  
**6430240-1 Connector Pinout**



**Figure 3.2**  
**Pinout View of 6430240-2 Unit Connector**

Connector Pinout	
A	DC Power Return
B	DC Power Input
C	DC Power Output
D	Enable

**Table 3.2**  
**6430240-2 Connector Pinout**

### 3.3.3 Harness Verification

With the TC 240 Static Converter disconnected, activate the aircraft power bus that supplies the unit and use a multi-meter to verify that aircraft power and ground with appropriate voltage is on the pins within the mating harness.

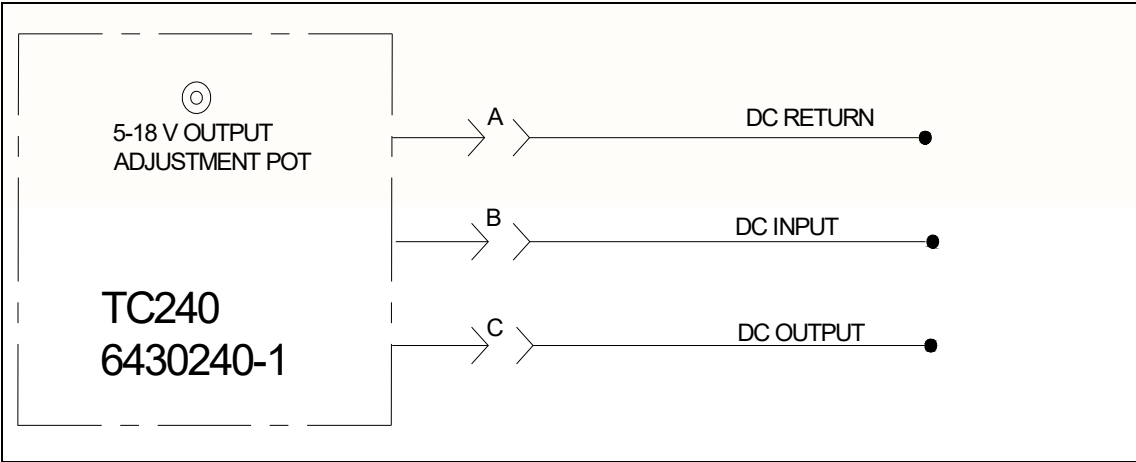
### 3.3.4 Output Voltage Adjustment

The output voltage can be set to any value between 5 and 18VDC.

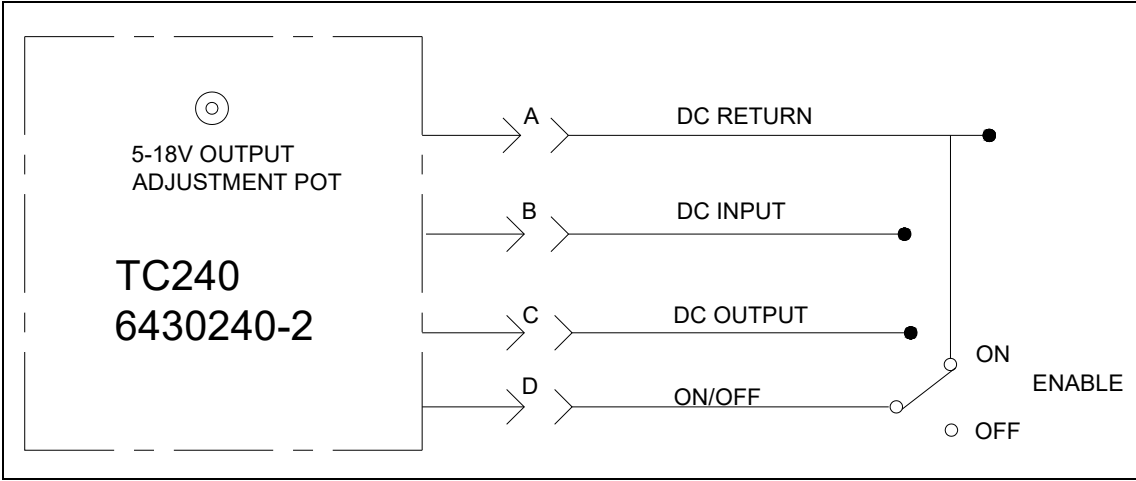
**NOTE:** The default output voltage is initially set to approximately 13.8VDC at the factory.

The output voltage can be adjusted while the TC240 DC/DC Power Converter is connected to the mating harness and aircraft power, but disconnected from the output load. Use a multi-meter at the load end of the harness to measure output voltage.

The adjustment trimmer can be accessed by removing the screw near the label as shown in Figure 3.5. After removing the screw, a flat screwdriver (2mm) will fit into the hole and the trimmer. Turn the trimmer carefully either clockwise to increase voltage or counter-clockwise to decrease voltage. Replace the screw after adjustment is complete.



**Figure 3.3: Typical 6430240-1 Aircraft Wiring Installation – Constant On**

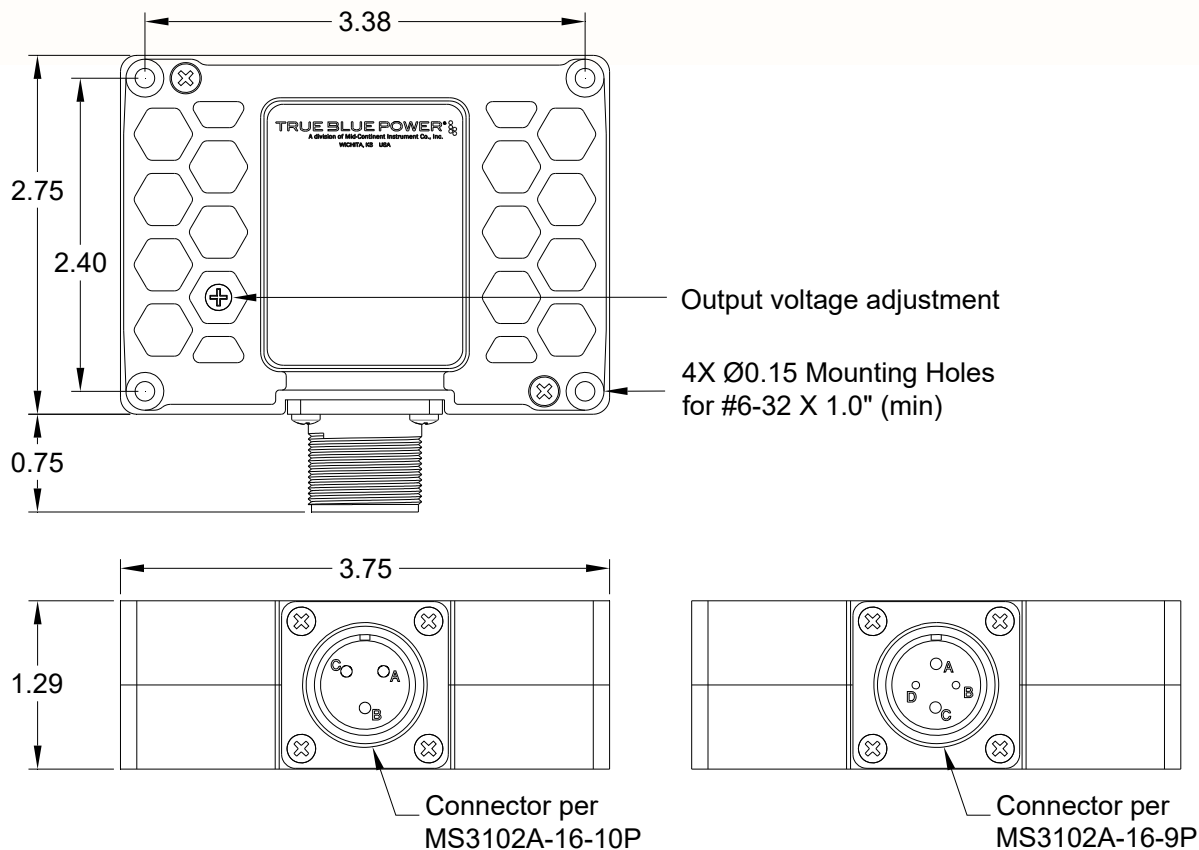


**Figure 3.4: Typical 6430240-2 Aircraft Wiring Installation – Remote On/Off**

### 3.4 MOUNTING

Refer to Section 2: Pre-Installation Considerations in regards to equipment location.

The TC240 DC/DC Converter is designed for base mounting only. Four 6-32 mounting holes should be provided in the aircraft in accordance with Figure 3.5. Secure the unit with four 6-32 pan head screws, or equivalent. A lock washer under the head of each screw is recommended.



**Figure 3.5**  
**TC240 DC/DC Converter Outline Drawing**

### 3.5 INSTALLATION CAUTION

Under no circumstances should the output of the Converter be connected to another power output source or damage will occur to the unit or the connected power source.

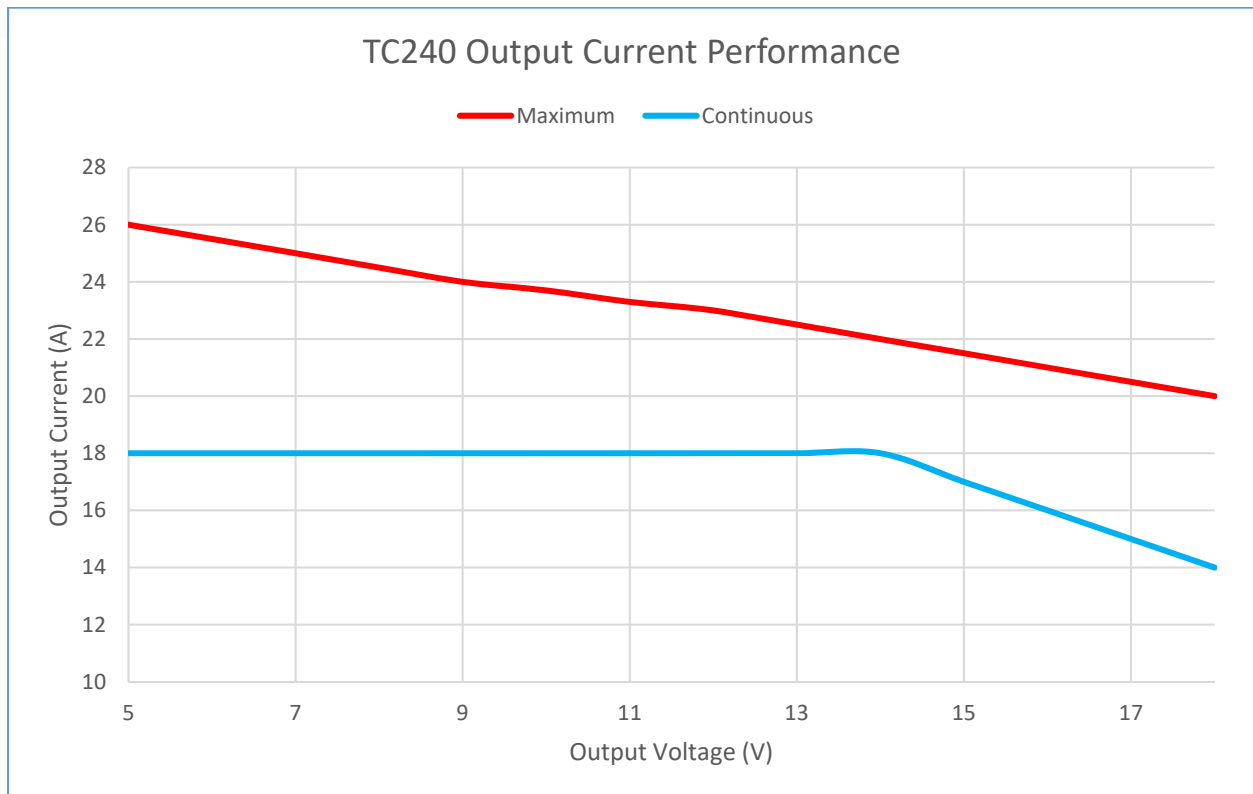
### 3.6 INSTALLATION COMPLETION

Prior to operating the unit in the aircraft, it is recommended to verify the output and functionality of the unit. In order to prevent accidental damage to other systems, it is best not to attach the output to other equipment or power busses prior to verification. Verify the output of the unit at the terminating end of the cable with a multi-meter to ensure proper voltage and polarity. Once verified, installation can be completed and functionality of the remote on/off feature (if used) should be checked.

## SECTION 4 OPERATION

### 4.1 ELECTRICAL PERFORMANCE

The TC240 is designed as a non-isolated, buck topology, solid-state switch-mode power supply. The unit converts a direct current voltage (VDC) input to a regulated 5-18 VDC output. It is capable of providing up to 240 watts of power to a variety of aircraft accessories including lights and onboard systems or portable consumer product power. Rated output current, and thus power, is a function of the user-selected output voltage. See Figure 4.1 for maximum current vs. voltage.



**Figure 4.1**

**TC240 Output Current Performance**

### 4.2 PROTECTIVE FEATURES

#### 4.2.1 Remote On/Off

The TC240 DC/DC Converter (6430240-2 only) incorporates a remote on/off feature that allows the user to enable or disable the output of the unit. By providing a ground on the appropriate pin, the user can enable the output of the unit via a remote mounted switch. (See Figure 3.4)

#### 4.2.2 Input Voltage Limit

If the input voltage exceeds the over-voltage threshold (34VDC), the output will be disabled.

### **4.2.3 Over-Temperature**

The TC240 DC/DC Converter incorporates an internal temperature sensing device that continually provides monitoring and feedback to the control circuits. When the unit senses an internal condition that exceeds maximum temperature ratings, the output is disabled. The Converter will continue to remain shut-down until the temperature returns to within acceptable limits. This over-temperature reset occurs automatically without external intervention required.

### **4.2.4 Short Circuit and Over-Current**

The TC240 DC/DC Converter is capable of surviving a short circuit or over-current event without permanent damage or effect to long-term reliability. The unit can provide over its rated power output up to 277 watts for over 120 minutes (until over-temperature shutdown occurs).

The Converter monitors the DC output on a pulse-by-pulse scenario to determine a short-circuit or over-current situation. If detected, the output is limited by limiting the current output to less than 20A. If the short-circuit or over-current situation is removed, the unit will return to normal operation.



**SECTION 5 CONFORMANCE**

**5.1 INSTRUCTIONS FOR CONTINUED AIRWORTHINESS**

No periodic scheduled maintenance or calibration is necessary for continued airworthiness of the TC240 DC/DC Converter. If the unit fails to perform to specifications, the unit must be removed and serviced by Mid-Continent Instruments and Avionics or their authorized designee.

**5.2 ENVIRONMENTAL QUALIFICATION STATEMENT**

**MODEL NUMBER:** TC240 **PART NUMBER:** 6430240-( ) Series  
**DESCRIPTION:** DC/DC Converter **CERTIFICATION:** FAA TSO-C71  
**MANUFACTURER:** True Blue Power, a division of Mid-Continent Instrument Co., Inc.  
**ADDRESS:** 9400 E. 34<sup>th</sup> St. North, Wichita, KS 67226, USA.  
**SPECIFICATION:** Test Specification (TS) 688-P Test Data Sheet (TDS) 688-P  
**STANDARD:** RTCA DO-160, Rev G, dated 12/08/10

CONDITIONS	SECTION	DESCRIPTION OF TEST
Temperature and Altitude	4	Category F1 and F2
Temperature Variation	5	Category S2
Humidity	6	Category B
Operational Shock and Crash Safety	7	Category B
Vibration	8	Fixed Wing: Category R; Curve C, C1 Rotorcraft: Category U; Curve G
Explosion	9	Category X
Waterproofness	10	Category X
Fluids	11	Category X
Sand and Dust	12	Category X
Fungus	13	Category F
Salt Spray	14	Category X
Magnetic Effect	15	Category Z
Power Input	16	Category B(XX)
Voltage Spike	17	Category B
Audio Frequency Conducted Susceptibility	18	Category R
Induced Signal Susceptibility	19	Category X
Radio Frequency Susceptibility	20	Category X
Emission of Radio Freq Energy	21	Category M
Lightning Induced Transient Susceptibility	22	Category X
Lightning Direct Effects	23	Category X
Icing	24	Category X
ESD	25	Category A
Flammability	26	Category X

REMARKS: