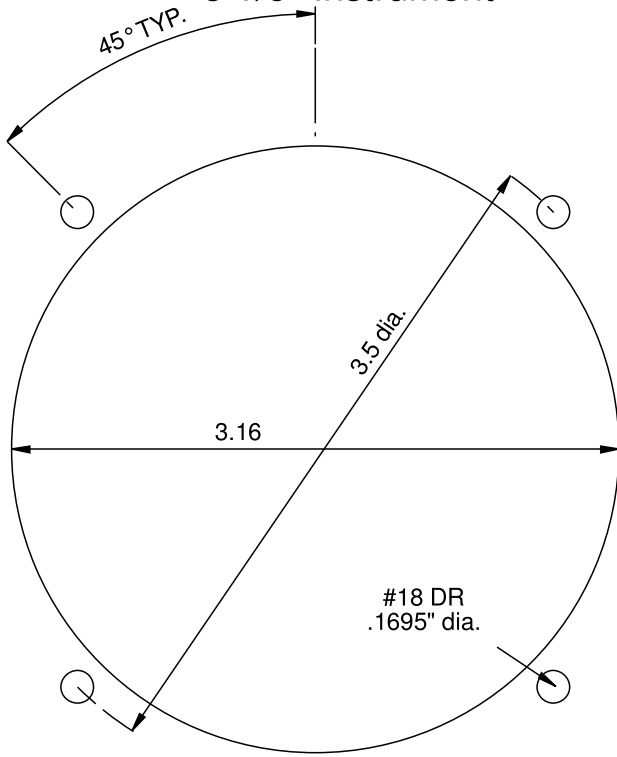
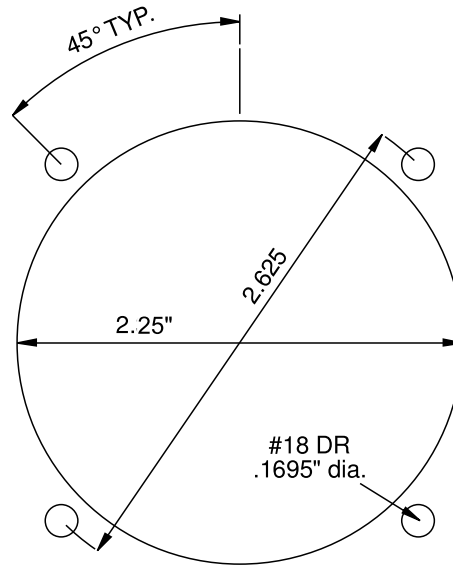


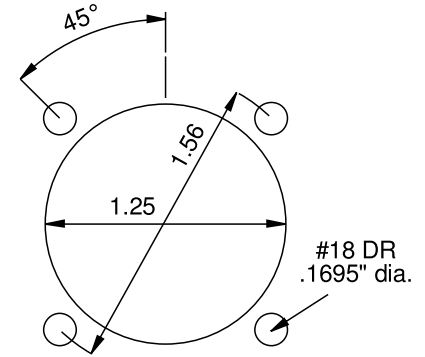
Panel Cut-out for typical  
3 1/8" Instrument



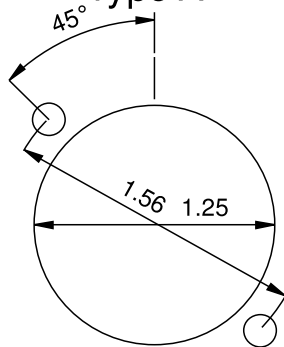
Panel Cut-out for typical  
2 1/4" Instrument



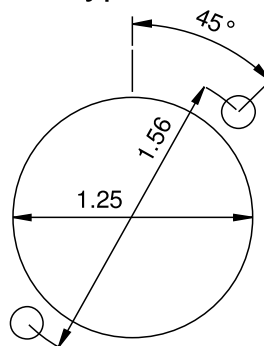
Panel Cut-out for  
1 1/4" Electronic Instrument



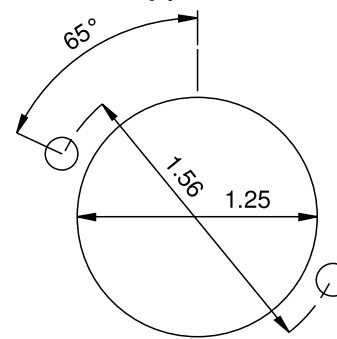
Panel Cut-out for  
1 1/4" Mechanical Instrument  
Type A



Panel Cut-out for  
1 1/4" Mechanical Instrument  
Type B



Panel Cut-out for  
1 1/4" Mechanical Instrument  
Type C



Panel Cut-out for  
1 1/4" Mechanical Instrument  
Type D

