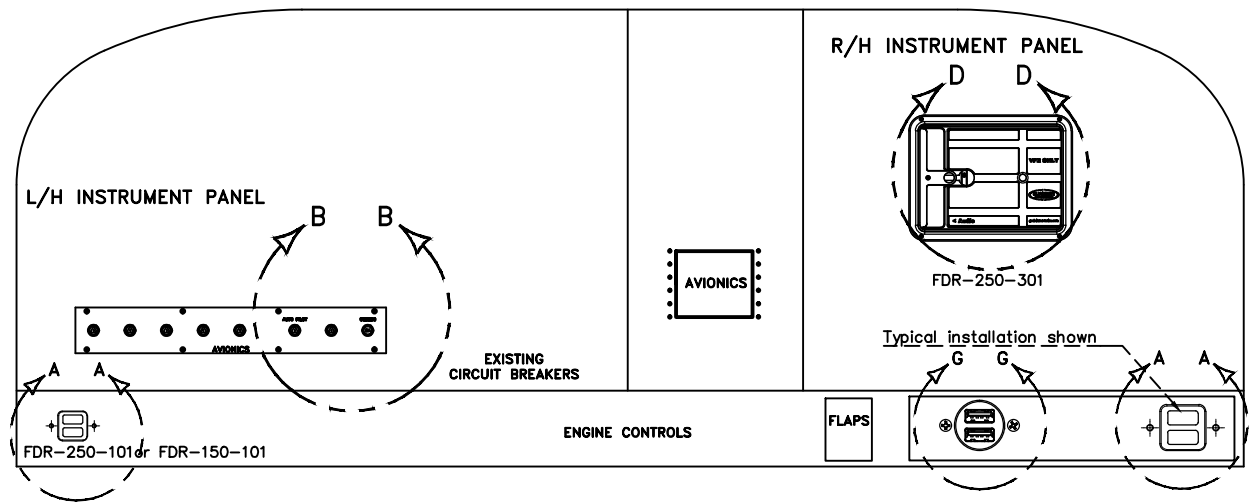


# NOTES:

- EXISTING EQUIPMENT.
- PERMISSIBLE TO TRIM PARTS CREATED BY THIS DRAWING ON INSTALLATION AS REQUIRED.
- TOUCH UP ALL BARE ALUMINUM SURFACES WITH ALODINE PER MIL-C-5541 CLASS 3.
- PARENTHETICAL ENTITIES, ( ), ARE FOR REFERENCE ONLY.
- LOCATE CIRCUIT BREAKER IN THE SAME GENERAL AREA WITH EXISTING CIRCUIT BREAKERS. LABEL AS SHOWN USING STANDARD ENGRAVING, SILKSCREEN, OR OTHER TECHNIQUES. LETTERING TO BE SAME HEIGHT AS EXISTING C/B LETTERING.
- ALL GROUNDS GO TO NEAREST GROUND POINT ON AIRCRAFT.
- TIE INTO EXISTING BUS BAR NEAR LOCATION OF NEW CIRCUIT BREAKER. IF A JUMPER WIRE IS REQUIRED, USE 20 GAUGE MIL-W-22759/XX TYPE.
- BEST COMMERCIAL EQUIVALENT MAY BE SUBSTITUTED FOR THIS PART.
- THE INSTALLATION OF WIRING TO BE PERFORMED IN ACCORDANCE WITH AC 43.13-1B, 2A, ACCEPTABLE METHODS, TECHNIQUES, AND PRACTICES - AIRCRAFT ALTERATIONS, CHAPTER 11. ALL WIRE TO BE MIL-W-22759/16 OR EQUIVALENT.

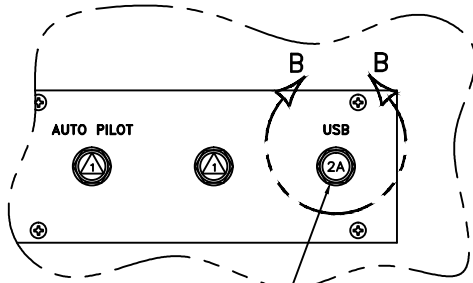
REVISIONS			
REV	DESCRIPTION	DATE	APVD
A	Initial release	06/2/2016	
B	circuit breakers changed to 2Amp	08/18/2016	
C	add round replacement page 3,5	12/17/2016	



**INSTRUMENT PANEL**  
VIEW LOOKING FWD

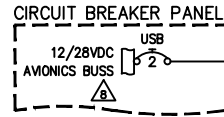
FILENAME: USBInst.dwg

① 1 USB-200-101		USB Port	GUARDIAN AVIONICS
ITEM	QTY	PART NUMBER	VENDOR
<b>PROPRIETARY NOTICE</b> This drawing contains specifications and/or data, technical material, proprietary designs and information that are the sole property of C. D. Guardian, LLC, and treated by its recipient as a confidential trade, and is not to be shown or disclosed to any unauthorized organization or person.		UNLESS OTHERWISE NOTED ALL DIM ARE IN INCHES TOLERANCES .000 ±.010 ANGLES .001 ±.03 ±1/2° .5 ±.1	
RIVET CODES PER NAS823 DR = MS20426RAD DR = MS20470AD	APPROVALS DESIGN DRAWN: Ahmed Hassan 07/7/2016 CHECK INSP. PROL. DASH NEXT ASSY REL. ASH VIJ 08/18/2016	UNLESS OTHERWISE NOTED ALL DIM ARE IN INCHES TOLERANCES .000 ±.010 ANGLES .001 ±.03 ±1/2° .5 ±.1 FINISH NONE SCALE NONE	
UNLESS OTHERWISE NOTED: ALL DIM TO BE 3 ± MATL. THICKNESS		TITLE <b>USB INSTALLATION</b> DRAWING NO. USB-250 SH 1 OF 5 REV 1 OF 5 C	



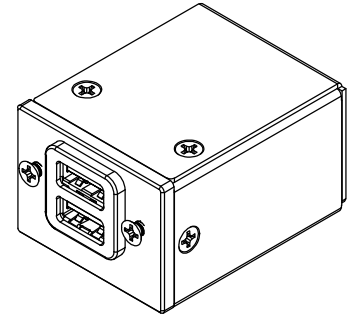
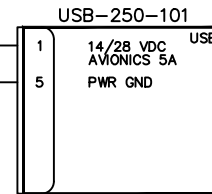
△ (P/N 7277-2-5) CIRCUIT BREAKER

**SECTION B-B**



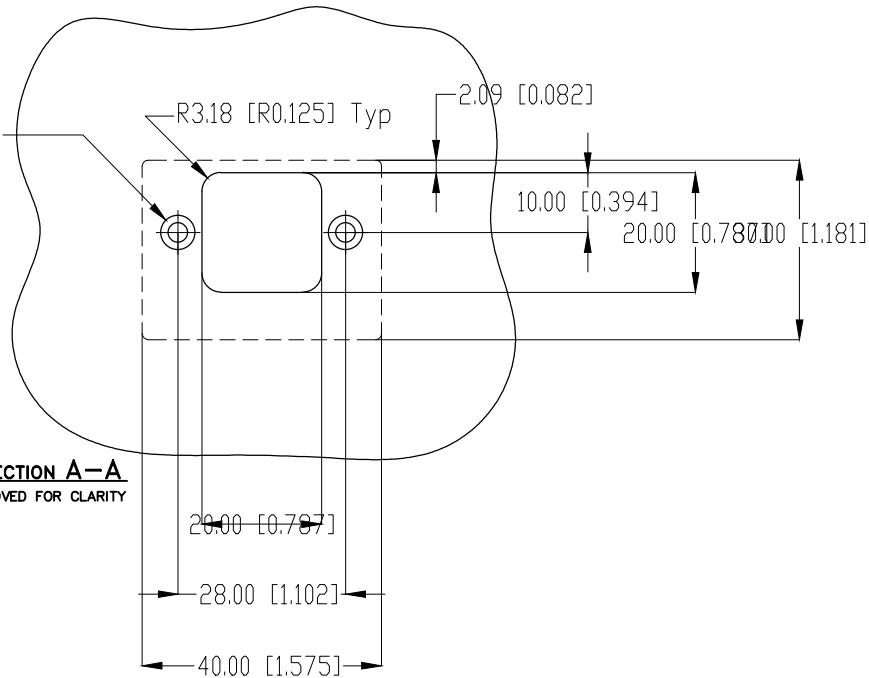
**USB INSTALLATION WIRING DIAGRAM**

USB-250-101 or USB-150-101

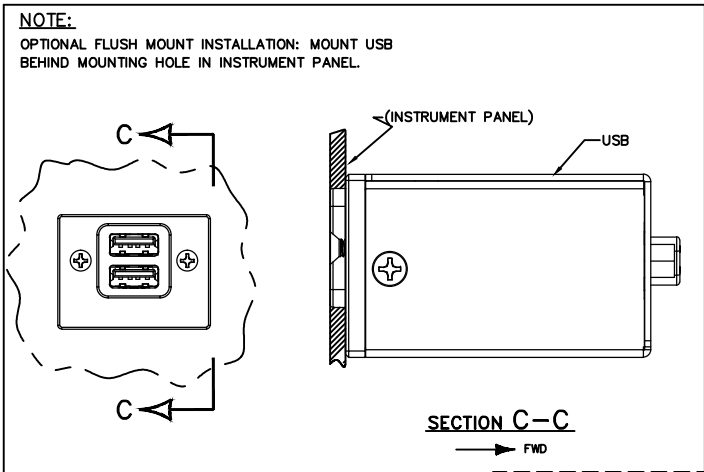


USB-250-101 shown

[#4 Countersink)  
k2X Ø5.72 THRU ALL  
∠Ø 5.72 X 82°



**SECTION A-A**  
USB REMOVED FOR CLARITY

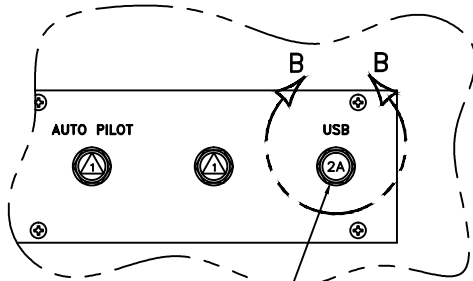


square faceplate panel cutout installation



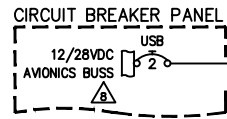
TITLE		
USB INSTL.		
DRAWING NO.	SH	REV
USB-250	2	5
OF	5	C

FILENAME: USBInst.dwg



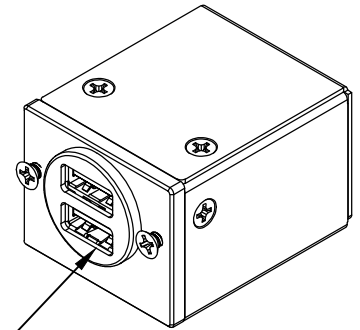
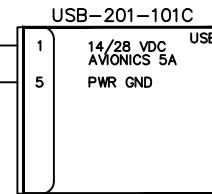
△ (P/N 7277-2-5) CIRCUIT BREAKER

**SECTION A-A**



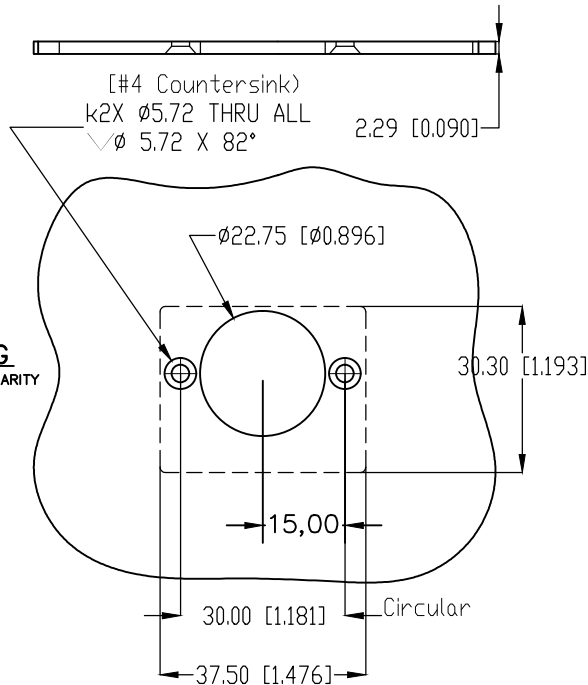
**USB INSTALLATION WIRING DIAGRAM**

USB-201-101C



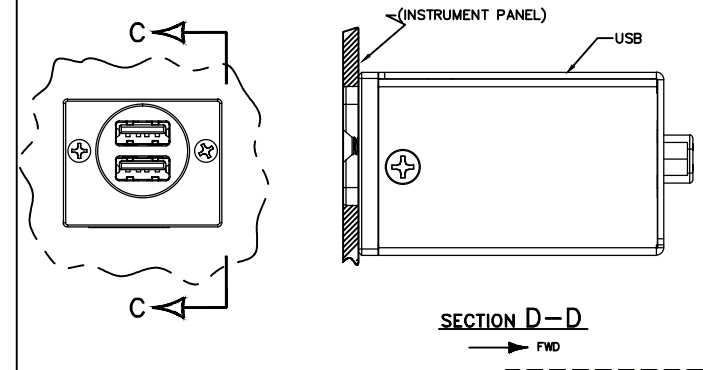
USB-201-101C shown

Cigarettes lighter round replacement (single or dual )



**SECTION G-G**  
USB REMOVED FOR CLARITY

**NOTE:**  
OPTIONAL FLUSH MOUNT INSTALLATION: MOUNT USB  
BEHIND MOUNTING HOLE IN INSTRUMENT PANEL.



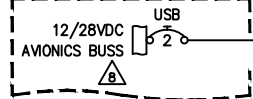
round faceplate (cigarette lighter) replacement installation



TITLE		
USB INSTL.		
DRAWING NO.	SH	REV
USB-250	3	5
	OF	C

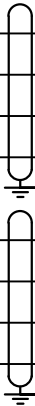
FILENAME: USBInst.dwg

CIRCUIT BREAKER PANEL



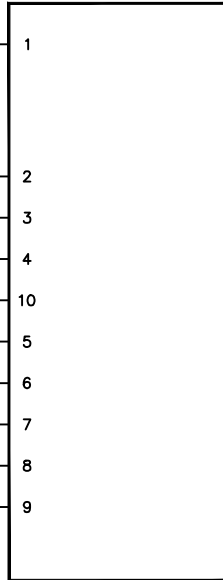
D2 5V + (RED)  
 D2 - (WHITE)  
 D2 + (GREEN)  
 D2 GND - (BLACK)

D1 5V + (RED)  
 D1 - (WHITE)  
 D1 + (GREEN)  
 D1 GND - (BLACK)



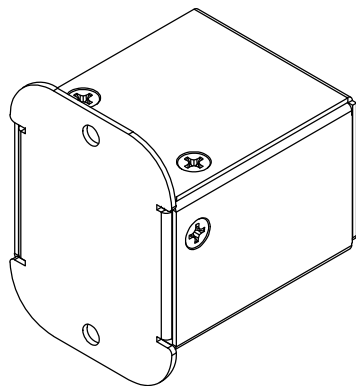
Aircraft GND

FDR-250-201 & 301

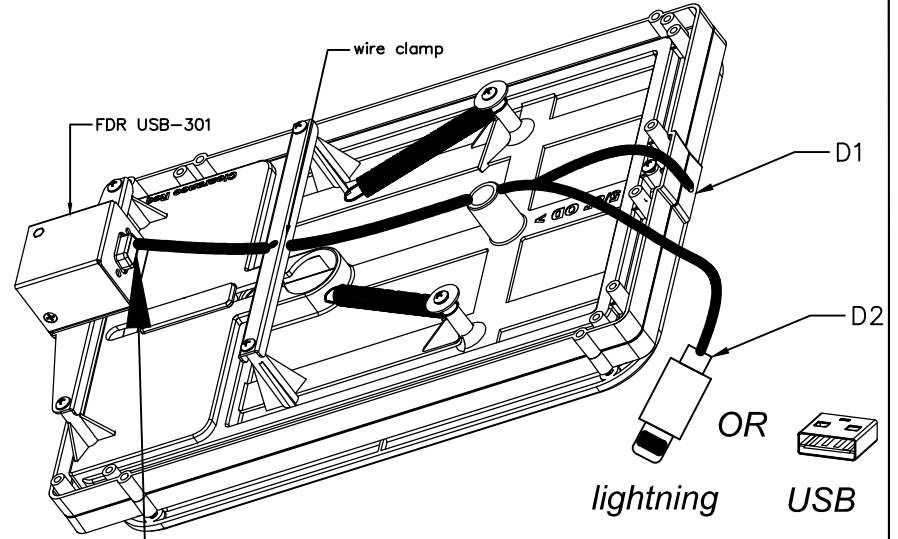
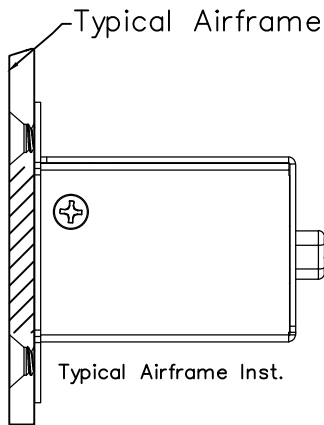


USB INSTALLATION WIRING DIAGRAM ( REMOTE BOX )

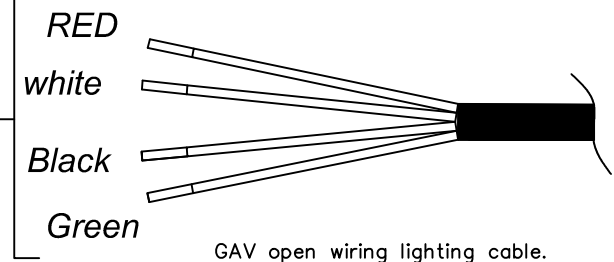
USB-250-201 & 301 INSTL



USB-250-201



SECTION D-D

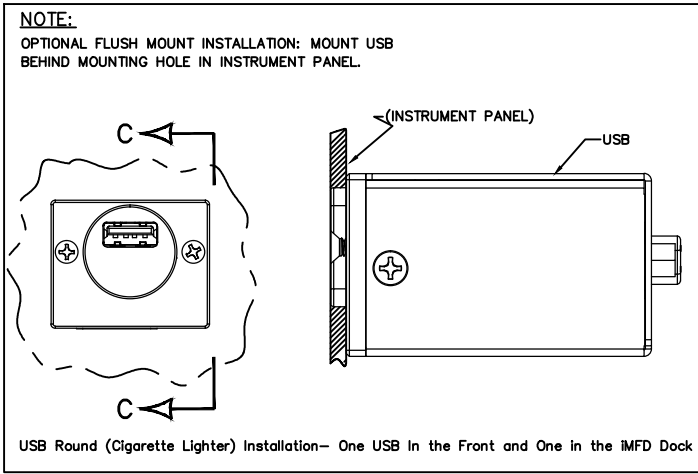
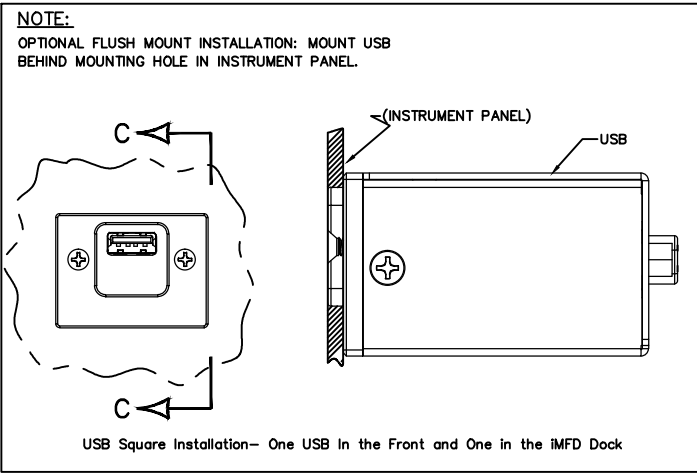
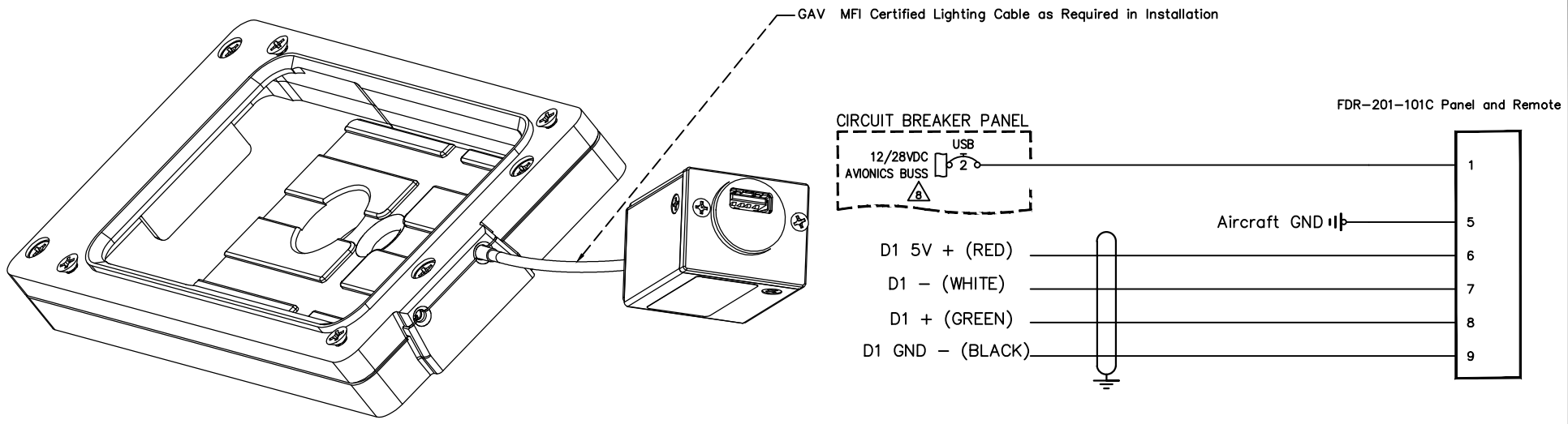


REMOTE USB POWER INSTALLATION

**GUARDIAN AVIONICS**  
 "Your partner in the sky"

TITLE: USB INSTL

DRAWING NO.: USB-250 SH 4 OF 5 REV C



# Single faceplate (Square & Round) Installation

FILENAME: USB Inst.dwg

**GUARDIAN AVIONICS**  
"Your partner in the sky"

TITLE: USB INSTL

DRAWING NO.: USB-250

SH 5 OF 5 REV C