



Gemini Autopilot Installation Manual

8300-088 Rev IR



TRUTRAK FLIGHT SYSTEMS

**1500 S. Old Missouri Road
Springdale, AR 72764**

POSTAL SERVICE ADDRESS

P.O. Box 189
Springdale, AR 72765-0189

Ph: 479-751-0250 Fax: 479-751-3397

www.trutrakap.com

Mechanical Considerations



The installation information in this section is extremely important and must be clearly understood by the installer. Improper servo installation or failure to observe and diagnose installation problems prior to flight can result in extremely serious consequences, **including loss of ability to control the aircraft**. If there are any questions on the part of the installer it is mandatory to resolve these questions prior to flight of the aircraft.

Most modern experimental aircraft use push-pull tubes to drive the primary controls. These tubes generally have a total travel of 3" or less; therefore, it is best to connect the autopilot servo to the primary control by the same method. This connection consists of an arm on the servo connected by a push-pull rod to the primary control. Rod-end bearings are required on each end of the push-pull rod.



The servo arm **must not** rotate even **near** to the point called OVER CENTER, the point at which the primary aircraft control would **lock up**. Some aircrafts mechanical primary control installations will not allow this to occur and do not need the servo stops.

This is a condition that would result from the servo being back driven when the pilot operates the controls, or from the servo itself driving the controls to a stop. To protect against this mechanical stops are supplied with the servos. These stops are drilled so that they can be mounted at different angles as required (18° intervals).



In addition to the proper use of the stop it is important to know the amount of travel on the primary control that the servo can handle. With the push rod connected to the outermost hole (1 ½") the travel on the primary cannot exceed 2 ½", the intermediate hole 2 1/16", and the inner hole 1 5/8".



It is important to note that at the neutral point of the control the SERVO ARM must be PERPENDICULAR to the push rod, and that the stop must be mounted so as to limit travel as near as possible to equal amounts in both directions. In certain factory-designed installations there may be well-proven exceptions.

There will be installations in which space does not permit the use of the stop. When this is done the aircraft's primary control stops must be positive and care must be taken to be sure that at the neutral point the servo arm is perpendicular to the push rod, and that the travel limits of the servo arm are not exceeded.

There are installations in which the travel of the push-pull tube exceeds the allowable 2 ½". For such installations, the drive can be applied to a bell crank at a radius point that moves the desired 2 ½" of maximum allowed travel in the outermost hole of the arm.

When there is no way to have a drive point of less than 2 ½" or when the primary control is cable-driven it is necessary to use the capstan-cable servo drive. When this is done the servo should be mounted so that the 1/16" diameter cable which wraps around the capstan when extended parallel to the primary cable is approximately 3/16" from the primary cable. If the primary control travel does not exceed 5" the cable locking pin will be 180° away from the point at which the cable leaves the capstan. When the primary control is at the neutral point this means the total cable wrap around the capstan is 360°. If the primary control travel is greater than 5" the cable wrap is 720° and the pin is adjacent to the output point when the primary control is at the neutral point.

The cable clamps when properly installed will not slip and thus get loose, but it is desirable to NICO press or swedge a fitting on to the cable so as to provide added assurance that the cable will not become slack. If the bridle cable is not sufficiently tight there will be lost motion in the autopilot drive. This will result in hunting (oscillation).

Controller Installation

Mounting Considerations

The Gemini Autopilot controller unit is designed to mount in the aircraft instrument panel within view and reach of the pilot. Maximum recommended viewing angle should be no more than 20 deg. The maximum mounting angle the Gemini can accommodate is 10 degrees longitudinal (pitch) axis and 0 degrees lateral (roll or yaw) axis. The location should be such that the controller unit is not blocked by the glare shield on top, or by the throttles, control yoke, etc. on the bottom. Use aircraft installation standards for mounting and support of the controller.

Wiring Considerations

Use AWG #24 or larger wire for all connections unless otherwise specified. The standard solder pin contacts supplied in the connector kit are compatible with up to AWG #18 wire. In cases where some installations have more than one component sharing a common circuit breaker, sizing and wire gauge is based on length of wiring and current draw on units. In these cases, a larger gauge wire such as AWG #20 may be needed for power connections. Do not attach any wires to the outside of the programmer or route high current wires within six (6) inch of the controller. Ensure that routing of the wiring is not exposed to sources of heat, RF or EMI interference. Check that there is ample space for the cabling and mating connectors. Avoid sharp bends in cabling and routing near aircraft control cables. Do not route the COM antenna coax near any autopilot components.

Pitot and Static Connections

All multi-servo TruTrak autopilots require connections to the pitot and static lines. The ports on the back of the autopilot are standard 1/8 NPT size. A single wrap of thread tape is recommended. The preferred method of this connection would be tee fittings near the aircraft's altimeter. The static line for the autopilot requires due care in its construction, as excessive lag or insufficient static orifices can cause the autopilot to oscillate (hunt) in pitch. Although there is compensation within the autopilot sufficient to handle moderate amounts of lag, the importance of a good static port and line cannot be overstated. In some cases problems can be caused by having a large number of devices (including the autopilot) connected to a single, insufficient, static port. In other cases, the static line itself is adequate but there are one or more devices connected to the same line, one of which has a large static reservoir. A simple remedy for this problem if it occurs is a tee-fitting near the static port, and a dedicated line to the autopilot only. Obviously, an insufficiently-large orifice coupled with large static reservoirs can aggravate the problems associated with lag.

RFI/EMI considerations

The autopilot controller is shielded and does not generate any appreciable level of electromagnetic interference. Moreover, the servo lines (except for power and ground) are low-current and cannot contribute to RF interference. The servo power and ground lines do have switching currents through them, but so long as there are no parallel runs of servo power and ground lines with such things as poorly-shielded antenna lines or strobe light power lines, there is no need to shield the servo harnesses.

The autopilot itself has been internally protected from RF interference and has been tested under fairly extreme conditions, such as close proximity to transmitting antennas. However, it is always good practice to insure that such antennas are properly shielded and not routed directly over or under sensitive panel-mounted electronic equipment. Most problems in this area are the result of improper RF shielding on transmitting antennas, microphone cables, and the like. The most sensitive input to the autopilot is the Control Wheel Switch input. This line should not be routed in parallel with transmitting antennas or other sources of known RF interference. If necessary, it can be shielded with the shield connection to pin 13 of the autopilot connector.

Gemini Ground Checkout

Once installation and setup of the autopilot are complete (see Operation Manual for setup and operation instructions), a ground checkout is a good idea before the first flight of the system. This is a simple procedure to verify that the servos move in the correct direction. Follow the steps below to verify this:

- 1) Center both the aileron and elevator control surfaces.
- 2) Engage the autopilot.
- 3) Rotate the knob clockwise, make sure the controls move to the right (stick) or clockwise (yoke).
- 4) Rotate the knob counter-clockwise. It must be turned enough to select a left bank angle. Make sure the controls move to the left (stick) or counter-clockwise (yoke).
- 5) Toggle the joystick up to select a 500 fpm climb. Make sure the controls move aft.
- 6) Toggle the joystick down to select a 500 fpm descent. Make sure the controls move forward.

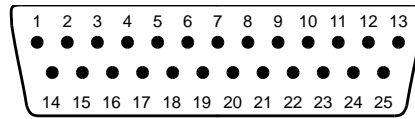
If steps 2-6 are all verified then the Gemini AP is ready to be engaged in flight.

***For instructions on accessing the setup menus and adjusting autopilot settings, please see section 5 of the Gemini Autopilot Operating Manual.**

***For recommended settings of common Experimental-Amateur Built aircraft, please see section 8 of the Gemini Autopilot Operating Manual.**

Electrical Pin-out

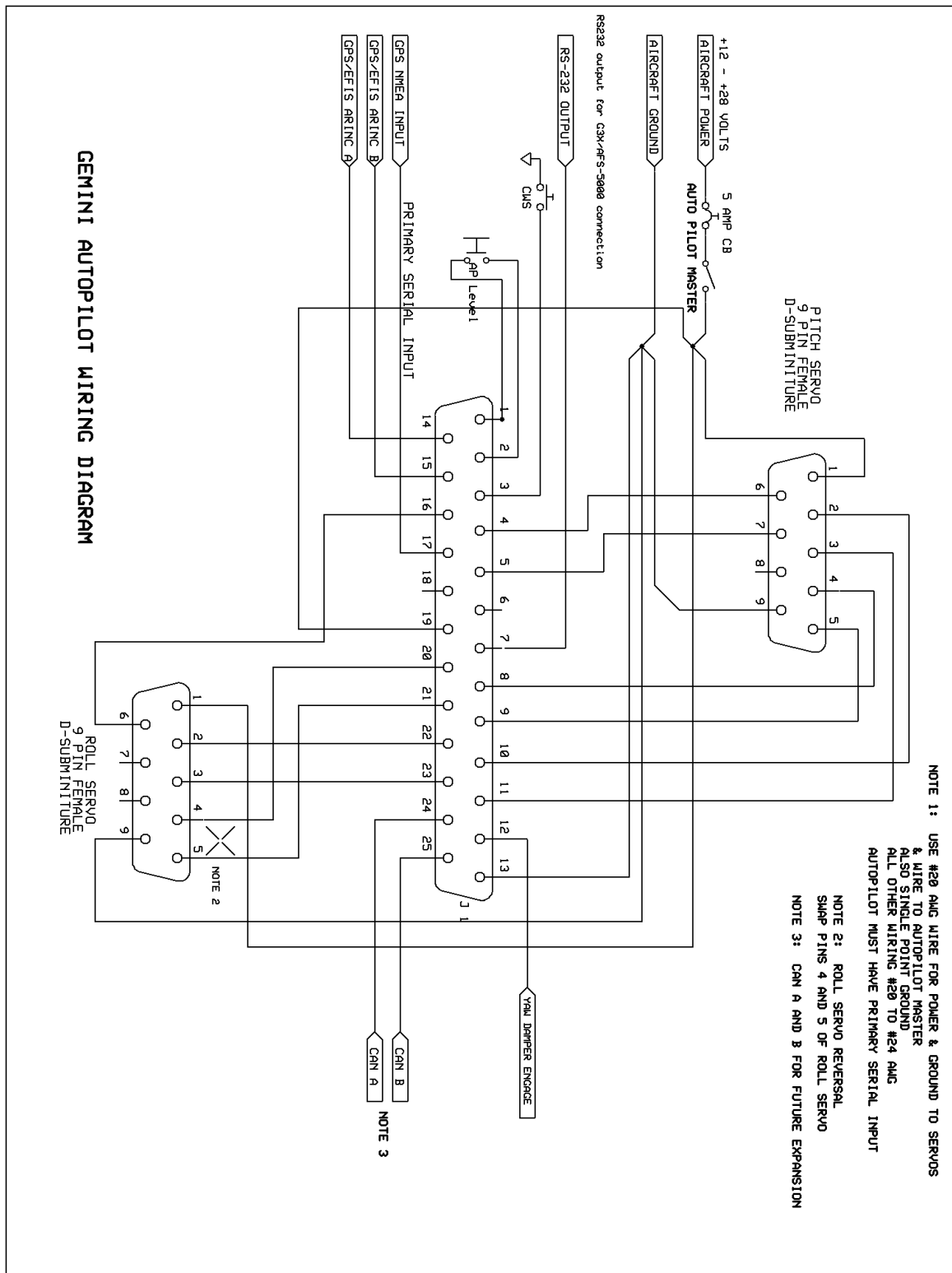
The table below provides a brief explanation of each pin function on the main 25-pin connector P101.



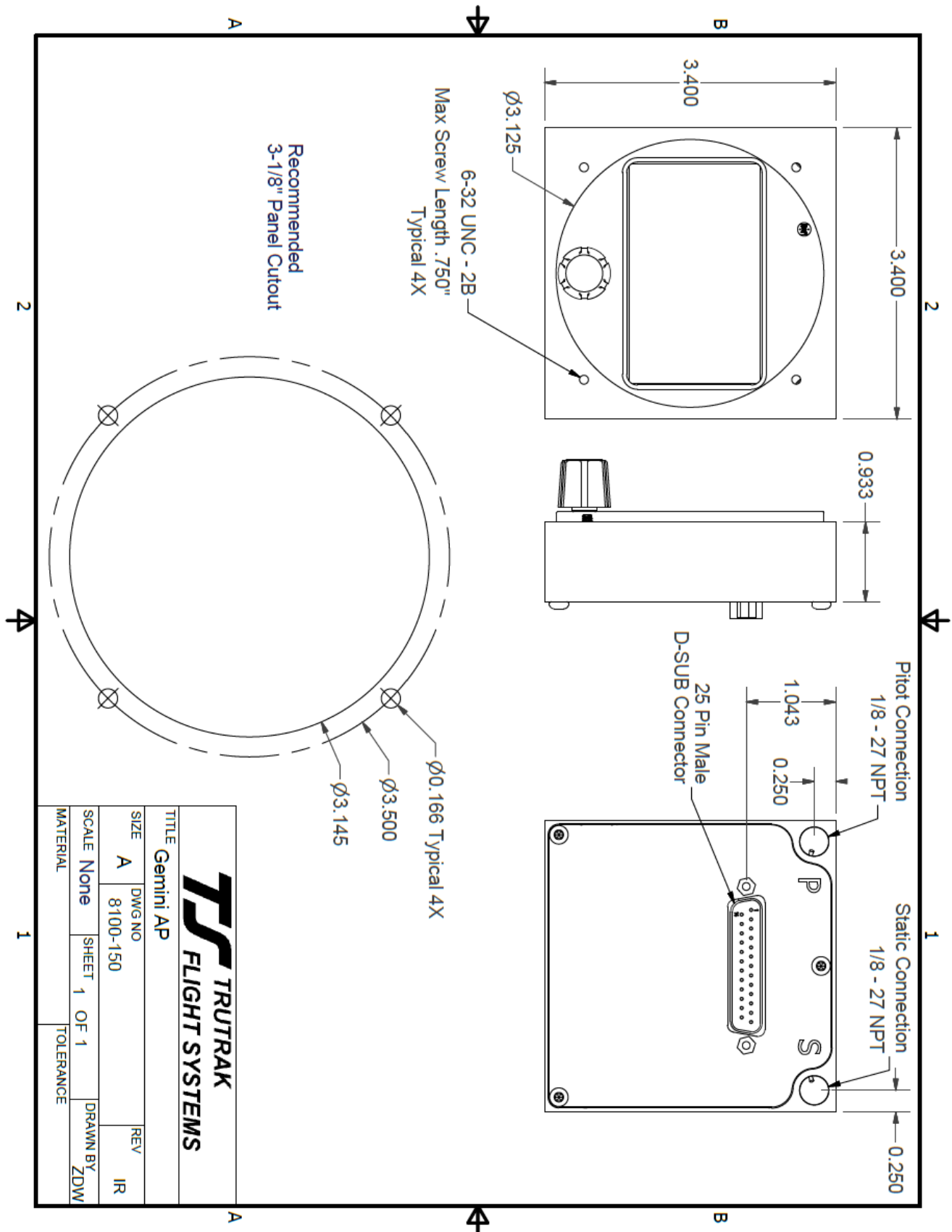
Rear 25-Pin Connector P101
viewed from rear of unit

P101 Pin	Function			Notes
1	Used for external Emergency AP Level button connection.			
2	Used for external Emergency AP Level button connection.			
3	Control Wheel Switch. Connect as shown in wiring diagram to a SPST momentary switch located remotely to the autopilot for convenient engage/disengage function.			
4	Pitch Servo Torque Control. A signal from the autopilot to the pitch servo which sets the amount of torque to be delivered by the servo.			
5	Pitch Servo Trim Sensor. A signal from the pitch servo to the autopilot which indicates an out-of-trim condition and its direction.			
6	Unused.			
7	RS-232 Output. Output to G3X/AFS-5000 series			Required for integrated control mode.
8	Pitch Servo control lines. These lines cause the stepper motor in the pitch servo to run in the appropriate direction at the desired velocity. They are small-signal lines and do not have any substantial current-carrying capability or require any special shielding. Connect to pitch servo as shown on wiring diagram.			
9				
10				
11				
12	Yaw Damper option.			
13	Ground Connection. Provide #20 AWG to common grounding point.			
14	ARINC-A	Digital differential signals from Garmin, Sierra, or other panel-mount receiver which provide directional steering commands (GPSS, GPSV) to autopilot		IFR GPS or EFIS connection
15				
16	Roll Servo Torque Control. A signal from the autopilot to the roll (aileron) servo which sets the amount of torque to be delivered by the servo.			
17	Primary Serial Input. Baud rate selectable 1200, 2400, 4800 or 9600 baud. Automatically decodes NMEA-0183, Garmin Aviation Format, or Apollo/UPSAT Moving-Map or GPSS format. Provides directional reference to the autopilot.			
18	Auxiliary RS-232 Input. Presently unused.			
19	Autopilot Master (+12 to +28 V DC). The autopilot itself draws less than 0.5 ampere. Most of the current required by the autopilot system is used by the servos (up to 2A per servo).			
20	Roll (aileron) Servo control lines. These lines cause the stepping motor in the roll servo to run in the appropriate direction at the desired velocity. They are small-signal lines and do not have any substantial current-carrying capability or require any special shielding. Connect to roll servo as shown on wiring diagram.			Reverse servo direction if necessary by swapping wires on pins 20 and 21. See note 2 on wiring diagram.
21				
22				
23				
	Wiring to roll servo J201		Direction of servo arm / capstan rotation (as viewed from face of the servo body) for RIGHT aileron	
	J101	Pin 20	Pin 21	
	Standard	J201-4	J201-5	Servo CCW (counter-clockwise) → RIGHT
	Reversed	J201-5	J201-4	Servo CW (clockwise) → RIGHT
24	TCB-A			Unused at this time, for future expansion.
25	TCB-B			

Gemini Autopilot Wiring Diagram



Controller Cut-outs and Dimensions



Intentionally Left Blank

GPS Setup Guide

Many new handheld GPS's have adequate output required to fly a TruTrak autopilot. Although most support data output not all handhelds will provide consistent and reliable information required to fly all TruTrak autopilots. Therefore, some handhelds will not fly the airplane well. Performance may decline by putting the processor in high-load situations.

We require a data output rate of once per second for best performance. Some handhelds output data at longer intervals than once per second. These handhelds will cause the autopilot not to perform well in turns and it may cause overshooting and hunting. If the baud rate is selectable the optimum setting is 4800. Most handhelds will require a data cable that plugs into the handheld and provides a medium for data output. This is an accessory and is available from your GPS manufacturer. The setup procedures are in your GPS manual. If your GPS is not listed here consult your GPS manual for NMEA output setup. The autopilot must have a direct connection with the handheld GPS to provide the autopilot with RS-232. To allow the handheld GPS to be removed easily you should add a connector in your panel. We recommend that you use a 9 pin D subminiature connector in your panel that will mate to the harness from the GPS. This will also allow you to wire power and ground and use the aircraft electrical system to power your handheld GPS.

Garmin GPS III

The Garmin III requires a Power/data cable (Garmin Part Number 010-10082-00) to provide data output. The Garmin III must be configured to provide the correct output to the autopilot.

Press the **MENU** key twice. Select 'Setup'. Press **ENTER**. Select the 'Interface' tab. Press **ENTER**. Select the NMEA format.

Note: The default baud rate is 4800. This is the baud rate that will entered into the autopilot in the setup mode.

Garmin GPS 92

The Garmin 92 requires a Power/data cable (Garmin Part Number 010-10082-00) to provide data output. The Garmin 92 must be configured to provide the correct output to the autopilot.

Press the **PAGE** key until the 'Main Menu' appears. Select 'Setup Menu' and press **ENTER**. Next select 'Interface.' Press **ENTER**. Select NONE/NMEA.

Note: The default baud rate is 4800. This is the baud rate that will entered into the autopilot in the setup mode.

Garmin GPS 195

The GPS 195 provides data output every two seconds and may be slow in recognizing turns and will overshoot the desired track. This may cause the autopilot to wander and not perform well in turns.

The Garmin 195 requires a Power/data cable (Garmin Part Number 010-10135-00) to provide data output. The Garmin 195 must be configured to provide the correct output to the autopilot.

Press the **MENU** key twice. Select 'Set-Up Menu'. Press **ENTER**. Select 'Input/Output'. Press **ENTER**. The input/output format is 'No In/NMEA Out.' Note that the baud rate is automatically set at 4800 bps.

Note: This is the baud rate that will need to be entered in the setup mode of the autopilot.

Now the Garmin 195 is correctly set up to provide the RS-232 serial output required by your TruTrak autopilot.

Garmin GPS 196 / 295

The Garmin 196 requires a Power/data cable (Garmin Part Number 010-10082-00) to provide data output. The Garmin 196 must be configured to provide the correct output to the autopilot.

Press the **MENU** key twice. Use the arrow keypad to select the 'SETUP' tab.

Within the Setup Menu select the 'INTERFACE' tab. Using the arrow keypad highlight the 'Serial Data Format' field. Use the arrow keypad to select 'NMEA In/NMEA Out' and press **ENTER**.

Set the baud rate to 4800.

Note: This is the baud rate that will need to be entered in the setup mode of the autopilot.

Press **MENU** to enter the Advanced NMEA page. Select 'Advanced NMEA Setup' and press **ENTER**.
Using the arrow keypad and the **ENTER** key to turn OFF 'GPS Status (GSA, GSV)', 'Waypoint/Route (WPL, RTE)', and 'GARMIN Proprietary'.

Now the Garmin 196 is correctly set up to provide the RS-232 serial output required by your TruTrak autopilot.

Garmin 296

The Garmin 296 must be configured to provide the correct output to the autopilot.

Press the **MENU** key twice. Use the rocker keypad to select the SETUP in the vertical tabs. Use the rocker keypad to select the 'COM 1' tab.

Press the down portion of the rocker keypad to select the 'FORMAT' field.

Press **ENTER** and a popup window will show the available settings.

Use the rocker keypad to select 'NMEA IN / NMEA OUT' then press **ENTER**. Select 4800 for the baud rate. Note: This is the baud rate that will need to be entered in the setup mode of the autopilot.

Press **MENU** to enter the Advanced NMEA page. Select 'Advanced NMEA Setup' and press **ENTER**.

Using the arrow keypad and the **ENTER** key to select "FAST OUTPUT" or turn OFF 'GPS Status (GSA, GSV)', 'Waypoint/Route (WPL, RTE)', and 'GARMIN Proprietary'.

Now the Garmin 296 is correctly set up to provide the RS-232 serial output required by your TruTrak autopilot.

Garmin 396 / 496

The Garmin 496 must be configured to provide the correct output to the autopilot.

Press the **MENU** key twice. Use the rocker keypad to select the SETUP in the vertical tabs. Use the rocker keypad to select the 'Interface' tab.

Press the down portion of the rocker keypad to select the 'Serial Data Format' field.

Press **ENTER** and a popup window will show the available settings.

Use the rocker keypad to select 'NMEA IN / NMEA OUT' then press **ENTER**. Select 4800 for the baud rate. Note: This is the baud rate that will need to be entered in the setup mode of the autopilot.

Press **MENU** to enter the Advanced NMEA page. Select 'Advanced NMEA Setup' and press **ENTER**.

Using the arrow keypad and the **ENTER** key to select "FAST OUTPUT" or turn OFF 'GPS Status (GSA, GSV)', 'Waypoint/Route (WPL, RTE)', and 'GARMIN Proprietary'.

Now the Garmin 396 / 496 is correctly set up to provide the RS-232 serial output required by your TruTrak autopilot.

Lowrance Airmap 100

The Lowrance Airmap 100 requires a NMEA/DGPS adapter cable to provide data output. The Lowrance Airmap 100 must be configured to provide the correct output to the autopilot.

Press the **MENU** key then select "NMEA/DGPS CONFIG" from the "System Setup" menu. Highlight the "NMEA OUT" menu then press the right arrow key.

Note: The default baud rate is 4800. This is the baud rate that will entered into the autopilot in the setup mode.

Now the Lowrance Airmap 100 is correctly set up to provide the RS-232 serial output required by your TruTrak autopilot.

Lowrance Airmap 1000/2000

The Lowrance Airmap 1000/2000 requires a NMEA/DGPS adapter cable to provide data output. The Lowrance Airmap 1000/2000 must be configured to provide the correct output to the autopilot. AirMap has one NMEA 0183 version 2.0 compatible communication port,

Press **MENU|MENU|↓** to **SYSTEM SETUP|ENT**. Press **↓** to **COMMUNICATIONS PORT|ENT**. Select 9600 Baud.

This is the baud rate that will entered into the autopilot in the setup mode. Select "NMEA OUT"

Now the Lowrance Airmap 1000/2000 is correctly set up to provide the RS-232 serial output required by your TruTrak autopilot.

AvMap EKP IV

The AvMap EKP IV requires a NMEA/DGPS adapter cable to provide data output. The AvMap EKP IV must be configured to provide the correct output to the autopilot.

MENU' 1 sec. + "COMMUNICATIONS" + 'ENTER' + "NMEA OUTPUT" + 'ENTER'.

The Output NMEA0183 messages are RMC, RMB that need to be selected.

Note: The default baud rate is 4800. This is the baud rate that will entered into the autopilot in the setup mode. The yellow wire is the Data out TX wire.

Now the AvMap EKP IV is correctly set up to provide the RS-232 serial output required by your TruTrak autopilot.

Garmin 155XL/250XL/300XL

Garmin 155XL/250XL/300XL connections to TruTrak autopilot			
J1 on Garmin unit	Signal Name (Garmin)	Signal Name (TruTrak)	P101 on TruTrak Gemini AP
19	GPS RS 232 OUT 2	Primary Serial Input	17
16	GPS ARINC 429 OUT A	ARINC-A	14
15	GPS ARINC 429 OUT B	ARINC-B	15

Press & hold **MSG**, rotate outer knob until I/O setup page is displayed. Press **CRSR** twice and rotate inner knob to select "plotting" for output to autopilot. Rotate outer knob to advance cursor to the baud rate field, select 9600. Press **CRSR** to finish.

To set the ARINC output. Remove the data cards turn the unit on. Press "enter" in response to "Select operating mode Normal?" Press "enter" in response to "No Jeppesen database rte / prx limited to user wpts ok?" After the satellite status page is displayed for 5 seconds the unit may be turned off.

With power OFF press and hold the **ENT** key and turn the power on (release the ENT key when the display activates). You should be in the TEST MODE. Press the CRSR key then rotate the outer knob to Select ARINC 429 CHANNEL. Press the CRSR key then rotate the inner knob to advance to OUTPUT and select "w/o GAMA labels"

Garmin 430W and 530W

Garmin 430 and 530 connections to TruTrak autopilot			
P4001 [P5001] on Garmin 430 [530]	Signal Name (Garmin)	Signal Name (TruTrak)	P101 on TruTrak Gemini AP
56	GPS RS 232 OUT 1	Primary Serial Input	17
46	GPS ARINC 429 OUT A	ARINC-A	14
47	GPS ARINC 429 OUT B	ARINC-B	15

Power 430/530 up and turn it on while holding down the ENT key. Release the ENT key when the display activates. After the data base pages, the first page displayed is the MAIN ARINC 429 CONFIG page. While in Configuration mode, pages can be selected by ensuring the cursor is off and rotating the small right knob. To change data on the displayed Configuration Page, press the small right knob (CRSR) to turn on the cursor. Turn the large right knob to change between data fields. Turn the large or small right knob to change a field that the cursor is on. Once you have made the desired selection, press the ENT key to accept the entry. The second startup page will test the RS 232 and ARINC inputs on the ground, a good RS 232 connection will display GPS NAV and the asterisk, ARINC will display GPSS and move the stick right and left.

With the MAIN ARINC 429 CONFIG page displayed, on the row labeled OUT, select SPEED → Low and DATA → 429 GAMA. In the VNAV row ENABLE LABELS.

Advance to the MAIN RS232 CONFIG page.

On the row labeled CHNL1, select OUTPUT → Aviation.

Note that for the Garmin units, the autopilot will need to be set for 9600 baud.

UPSAT GX-50/60/65

UPSAT GX-50/60/65 connections to TruTrak autopilot			
37-Pin Connector on UPSAT GX-50/60/65	Signal Name (UPSAT)	Signal Name (TruTrak)	P101 on TruTrak Gemini AP
5 or 22	Use pin 5 – TxD1 – if GX has no GPSS	Primary Serial Input	17
	Use pin 22 – TxD2 – if GX has GPSS		

Power the GX-50/60/65 up and turn it on while holding down the leftmost and rightmost “smart keys.” Rotate the LARGE knob to the Serial Interface Configuration “CH RX TX” page. Press SEL (the selection fields will start flashing), rotate the LARGE knob to select the port, rotate the SMALL knob to select the desired configurations, and then press ENT when complete.

If both the GX unit AND the DigiFlight unit have GPSS capability, select “GPSS” for CH 2, TX column, and wire pin 17 on the DigiFlight IIVSG to pin 22 of the GX unit Otherwise select “MOVING MAP” For CH 1, TX column and wire pin 17 on the DigiFlight II / IIVS to pin 5 of the GX unit

Garmin AT GNS480 connections to TruTrak autopilot			
P1 on GNS480	Signal Name (Garmin AT)	Signal Name (TruTrak)	P101 on TruTrak Gemini AP
22	RS232 TxD2	Primary Serial Input	17
P5 on GNS480	Signal Name (Garmin AT)	Signal Name (TruTrak)	P101 on TruTrak Gemini AP
4	429 OUT 1A	ARINC-A	14
24	429 OUT 1B	ARINC-B	15

To restore the GX-50/60/65 to normal operation, switch its power off, and then back on.

Note that for the GX-50/60/65 units, the autopilot will need to be set for 9600 baud.

Garmin AT GNS480

Power 480 up and select the **1, 4, MENU/ ENTER** keys immediately after the GNS 480 initialization is complete. After restart, the first page displayed is the SETUP page. Select the SERIAL PORTS with the button next to it. Press the small knob to enter the edit mode and move to the TX column for the channel that you have connected the serial wire to (channel 2). Select MAPCOM and 9600. Press the small inner knob again to save. Then press the BACK to go back to the Setup page.

Select the ARINC PORTS SETUP. With the MAIN ARINC 429 CONFIG page displayed, on the row labeled Channel 1 OUT, select and DATA → ARINC 429, SPEED → Low.

Serial output baud rate should be set to 9600 on the GNS480. Set the TruTrak baud rate to 9600.

KMD 150

Power the KMD 150 up and turn it full bright. Press the MENU button then the SETUP button then the INST & DIAGS button then the DATA IN/OUT. Change the DATA OUT PUT to NEMA 0183 the manual states the Baud rate is 9600. The output pin is pin 11 and connects to the Primary Serial input on the auto pilot controller. You will need to match 9600 Baud rate in the auto pilot.

KMD 150 connections to TruTrak autopilot			
37 Pin Connector on KMD 150	Signal Name	Signal Name (TruTrak)	P101 on TruTrak Gemini AP
11	(AV NAV)	Primary Serial Input	17

Garmin GTN-650

Garmin GTN-650 connections to TruTrak autopilot			
P1001	Signal Name (Garmin)	Signal Name (TruTrak)	P101 on TruTrak Gemini AP
8	GPS RS 232 OUT 1	Primary Serial Input	17
10	GPS ARINC 429 OUT A	ARINC-A	14
29	GPS ARINC 429 OUT B	ARINC-B	15

Press and hold the HOME key when powering up the GTN-650. Release the key when the display activates. When the config mode screen shows, touch GTN Setup.

Touch RS232. On channel 1 output, select Aviation. Back out to the main config menu.

Touch ARINC-429. On channel 1 output, select GAMA 1, Speed LOW. Back out to the main config menu.

Touch Update Config Module.

Make sure the autopilot baud rate is set to 9600.

Garmin 695/696/795/796

Garmin 696 connections to TruTrak autopilot			
Garmin Power/Data Cable	Signal Name (Garmin)	Signal Name (TruTrak)	P101 on TruTrak Gemini AP
Blue Wire	GPS RS 232 OUT 1	Primary Serial Input	17

Select Tools -> Setup -> Interface

Select the drop down menu under Serial Data Format. Choose one of the formats that outputs NMEA Out. There are three options:

- Aviation In/NMEA & VHF Out is 9600 baud
- GTX TIS-A In/NMEA & VHF Out is 9600 baud
- NMEA Out is 4800 baud

Be sure to match the autopilot baud rate setting to the correct one.

Garmin Aera 500/510/550/560

Garmin Aera connections to TruTrak autopilot			
Garmin Power/Data Cable	Signal Name (Garmin)	Signal Name (TruTrak)	P101 on TruTrak Gemini AP
Blue Wire	GPS RS 232 OUT 1	Primary Serial Input	17

Select Tools -> Setup -> Interface

Select the drop down menu under Serial Data Format. Choose one of the formats that outputs NMEA Out. There are three options:

- Aviation In/NMEA & VHF Out is 9600 baud
- GTX TIS-A In/NMEA & VHF Out is 9600 baud
- NMEA Out is 4800 baud

Be sure to match the autopilot baud rate setting to the correct one.

Garmin G3X

Garmin G3X connections to TruTrak autopilot			
P3701 (GDU 37X)	Signal Name (Garmin)	Signal Name (TruTrak)	P101 on TruTrak Gemini AP
48	GPS RS 232 OUT 1	Primary Serial Input	17
47	GPS RS 232 IN 1	Serial Output	7
P731 (GSU 73) if equipped			P101 on TruTrak Gemini AP
20	GPS ARINC 429 OUT A	ARINC-A	14
21	GPS ARINC 429 OUT B	ARINC-B	15
P292 (GAD 29) if equipped			P101 on TruTrak Gemini AP
18	GPS ARINC 429 OUT A	ARINC-A	14
6	GPS ARINC 429 OUT B	ARINC-B	15

Enter config mode on G3X PFD by holding left softkey while power is applied. Use knob to select COMM tab. Select RS232 channel 1 and set to INTEGRATED AUTOPILOT.

Select ARINC channel 1 output. Set output to AUTOPILOT.

Set the autopilot baud rate to 9600.

Warranty On TruTrak Flight Systems Products

Here at TruTrak Flight Systems, we know how important it is to feel as though the customer is purchasing a product that the manufacturer is going to stand behind. For this reason we want offer more than the basic one year warranty that is standard to this industry. The warranty on all TruTrak products will be three years from the date of purchase. Abuse and misuse of a product are not covered under this warranty. Modification to a product may void the warranty, as well as carry a penalty when upgrading to another product. This three year warranty will be for all products except the Pictorial Turn & Bank, which will continue to have a warranty of one year from the date of purchase.

TruTrak Flight Systems No Penalty Upgrade Policy

As the product line continues to grow, it becomes increasingly difficult to maintain a simple upgrade policy. We do want to reward our repeat customers by allowing a lower cost upgrade from one system to another; however we are not able to offer this across the board on all products. If you are considering an upgrade, please call and we will give you a quote on what this would cost. Many products that we sell today are upgradeable for only the difference in system price. Because we continually strive to have the most up to date products possible, we occasionally have to discontinue products. We will continue to offer discounted upgrades even for our discontinued products.



RETURN MERCHANDISE POLICY AND PROCEDURE

Under no circumstances should products be returned to TruTrak without first obtaining a Return of Merchandise Authorization number (RMA #) from TruTrak. An RMA# may be obtained by contacting us at 866-878-8725.

Products that do not have an RMA # will not be processed.

Please include documentation stating the reason for the return and describing any symptoms, failure modes, suspected causes of damage, diagnostics performed, data collected, etc.

Product(s) should be packaged in their original shipping containers. In lieu of this, they should be very carefully packaged in containers suitable to protect them during transit. For your protection, items should be insured for the full value. Note that damage caused during shipping will not be repaired under warranty.

The outside of the box must be clearly marked with the RMA # issued by TruTrak and the RMA # must also be noted on the return documents.

Products will be returned to the customer at no charge via FedEx Ground or UPS Ground. If customer requests expedited shipping (2nd Day or Overnight) they will be charged the shipping cost and must supply a credit card number.

INTERNATIONAL SHIPMENTS:

Trutrak sends all International shipments with an insurance value on all products. Trutrak pays for shipping only. The customer is responsible for any and all additional fees, duties, taxes associated with the shipment.

When sending products to Trutrak for repair or otherwise please be advised that the customer is responsible for all charges and fees associated with shipment. For your protection, items should be insured for the full value.

Trutrak states on all product returns "WARRANTY REPAIR AT NO CHARGE TO CUSTOMER. A COMMERCIAL INVOICE VALUE OF \$__ GIVEN FOR INSURANCE PURPOSES ONLY"

Please keep in mind that your government or another entity in your country may impose a charge for custom and/or brokerage fees, duties and taxes on items received from the US. These charges do not originate from our company nor do we benefit from them in any way. You are responsible for payment of all custom and brokerage fees, duties and taxes that may be imposed when these goods are imported into your country.

Send ALL return shipments to:

Trutrak Flight Systems, Inc., 1500 South Old Missouri Road, Springdale, AR 72764 USA
Attention: Returns Dept. RMA# _____

For Installation Support:

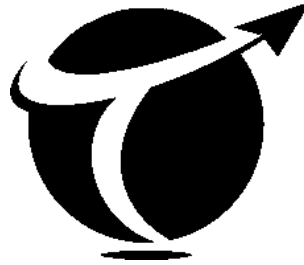
+1 479 751 0250 option 2 for support

Monday through Friday, 8am-5pm Central time

Email custserv@trutrakap.com

Check our customer forum at www.trutrakap.com/forum

Follow us on Facebook, Trutrak Flight Systems, Inc.



TRUTRAK FLIGHT SYSTEMS

**1500 S. Old Missouri Road
Springdale, AR 72764**

POSTAL SERVICE ADDRESS

P.O. Box 189
Springdale, AR 72765-0189

Ph: 479-751-0250 Fax: 479-751-3397

Toll free: 866-TRUTRAK

866-(878-8725)

www.trutrakap.com