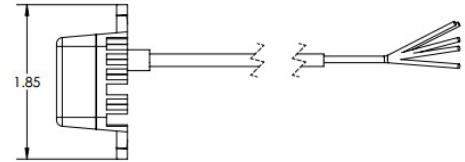
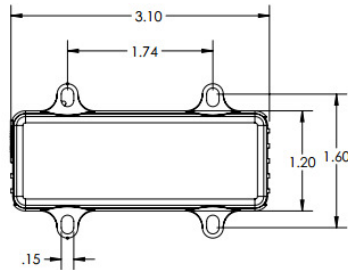
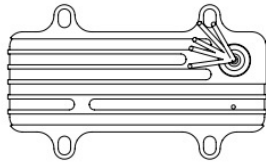
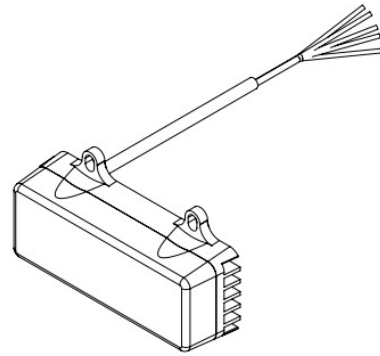
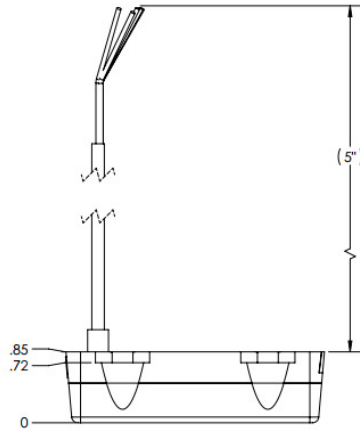




Product Datasheet
MicroSun Taxi Light with Recognition
01-1170-A



Voltage:	9-40VDC	Length:	3.1"
Current:	1.7A at 14VDC	Width:	1.9"
Power:	24 Watts	Depth:	0.9"
Pulse/WigWag:	Built In	Weight:	2.2 Oz
Synchronization:	Built In	Heat Sink Material:	Aluminum/Black Anodized
Thermal Protection:	Built In	Lens Material:	Polycarbonate
Lumens:	2,640	Lens Protection:	Optional Film
Candela:	15,000	Mounting:	(4) x 6-32 (External Mount)
Beam Profile (@10% peak):	Vertical: 30°	MTBF:	>30,000 Hours
	Horizontal: 30°	Temperature Range:	-55C to +70C