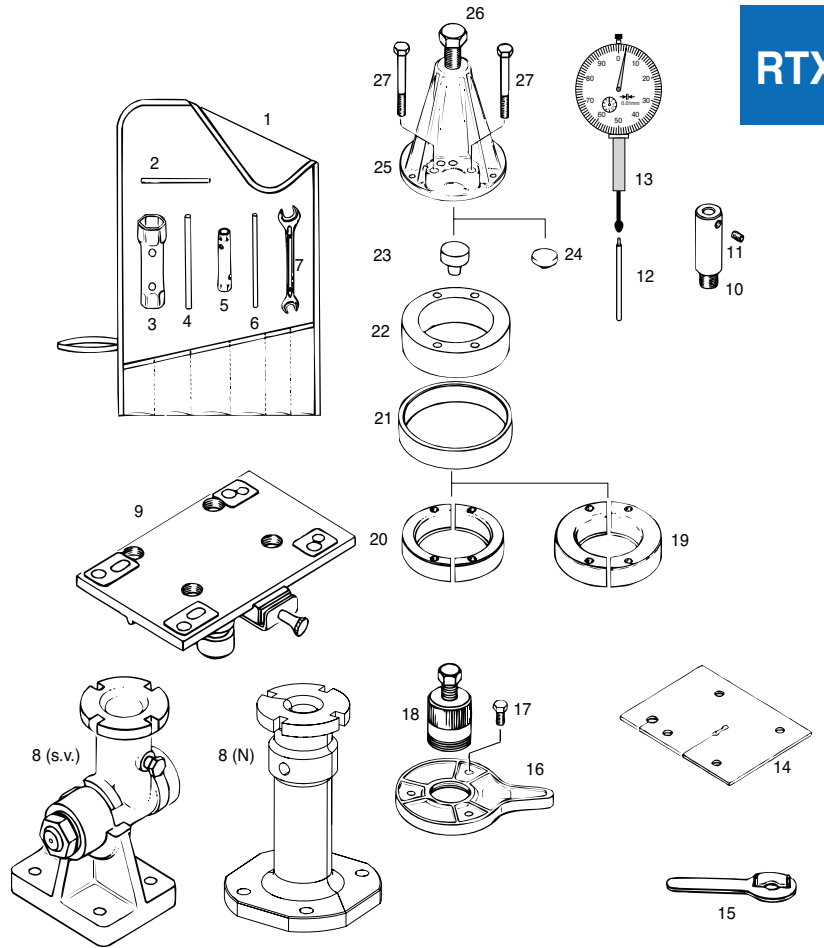


2 STROKE-REPAIR TOOLS & GASKET SET

ROTAX 503, 582 UL 99/17 GENERAL REPAIR-TOOLS

Item No.	Part No	Description	Qty. Req.		Price
			503	582	
2	876-640	CRANKSHAFT FIXATION BOLT	1	1	\$2.40
3	876-210	SOCKET WRENCH 21X26 MM	1	1	\$11.11
5	876-227	SOCKET WRENCH 10X13 MM	1	1	\$7.39
6	977-425	HAND LEVER 6X130	1	1	\$3.02
7	276-065	FORK WRENCH 10X13 MM	1	1	\$7.51
8	877-930	TRESTLE SUPPORT ASSEMBLY	1a	1a	\$720.30
9	876-746	MOUNTING PLATE WITH DETENT	1a	1a	\$543.14
10	876-940	GAUGE ADAPTER	1b	1b	\$77.26
11	841-771	SET SCREW M6X8	1b	1b	\$1.76
12	876-945	GAUGE PIN	1b	1b	\$28.37
13	876-950	PRECISION DIAL GAUGE	1b	1b	\$262.58
15	277-905	WRENCH	1d	1d	\$31.87
16	876-081	PULLER PLATE	1e	1e	\$89.05
17	940-591	HEX.SCREW M8X20	3	3	\$1.23
18	876-065	PULLER M42X1,5 ASSEMBLY	1f	1f	\$80.76
19	276-025	RING HALF	1g	1g	\$157.54
20	977-475	RING HALF	1h	1h	\$100.63
21	977-490	RING	1i	1i	\$67.98
22	876-569	DISTANCE RING 72/105/28	1j	1j	\$141.75
24	876-557	PROTECTION MUSHROOM	1l	1l	\$17.68
25-27	877-636	PULLER ASSEMBLY	1m	1m	\$227.43
26	940-755	HEX. SCREW M16X1,5X150	1	1	\$37.91
27	841-201	HEX. SCREW M8X70	4	4	\$2.76

- a useable for engine type 447 UL, 503 UL, 582 UL 90/99 and 618 UL
- b for adjustment and control of the ignition timing.
- c to cover the crankcase.
- d to hold the oilpump gear.
- e to hold the magneto flywheel.
- f for magneto flywheel.
- g for ball bearing 6206, crankshaft magneto side.
- h for ball bearing 6207, crankshaft.
- i for ring halves.
- j for puller
- k for crankshaft P.T.O. side.
- l for crankshaft magneto side.
- m for ball bearing

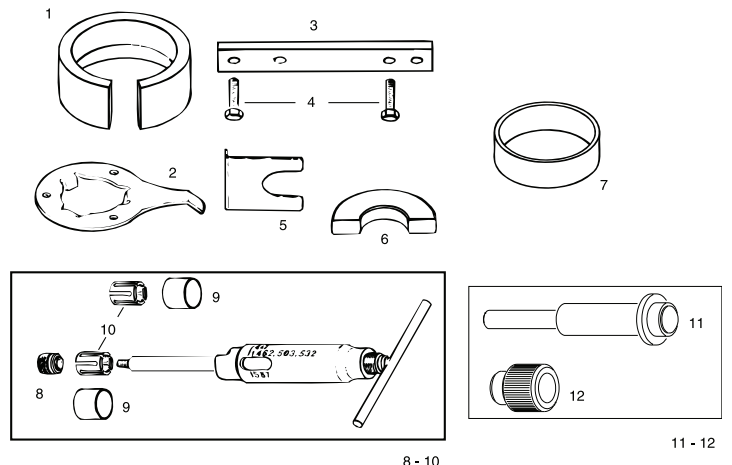


RTX

ROTAX 503 UL REPAIR TOOLS AND GASKET SET

Item No.	Part No	Description	Qty. Req.	Price
1	876-970	PISTON RING SPANNER 72 MM	1b	\$94.16
2	876-357	FAN HOLDER	1c	\$21.45
3	876-171	CYLINDER ALIGNING TOOL	1d	\$79.99
4	240-275	HEX. SCREW M8X25 DIN 933	2	\$1.26
6	876-824	DISTANCE GAUGE P.T.O. SIDE	1f	\$99.21
8-10	877-091	PISTON PIN EXTRACTOR ASSEMBLY	1h	\$435.58
9	877-180	LOCATING SLEEVE	2	\$6.27
10	877-040	EXPANSION SLEEVE	2	\$132.11
11-12	877-015	CIRCLIP INSTALLATION TOOL ASSEMBLY	1i	\$175.07
11	877-020	CIRCLIP INSTALLATION SLEEVE	1	\$91.45
12	877-010	CIRCLIP INSTALLATION PUSHER	1	\$92.15
13	994-236	GASKET SET ENGINE	1j	\$186.27

- a for installation of cylinder on the piston 67,5 mm.
- b for installation of cylinder on the piston 72 mm.
- c to hold the fan.
- d for aligning of cylinders at the intake flange.
- e for crankshaft bearing P.T.O. side.
- f for positioning of crankshaft bearing P.T.O. side.
- g for centering of the stator plate.
- h for piston pin 18 mm.
- i for installation of piston pin circlip 18 mm.
- j for the engine.
- k without ignition and externals.



8 - 10

13

