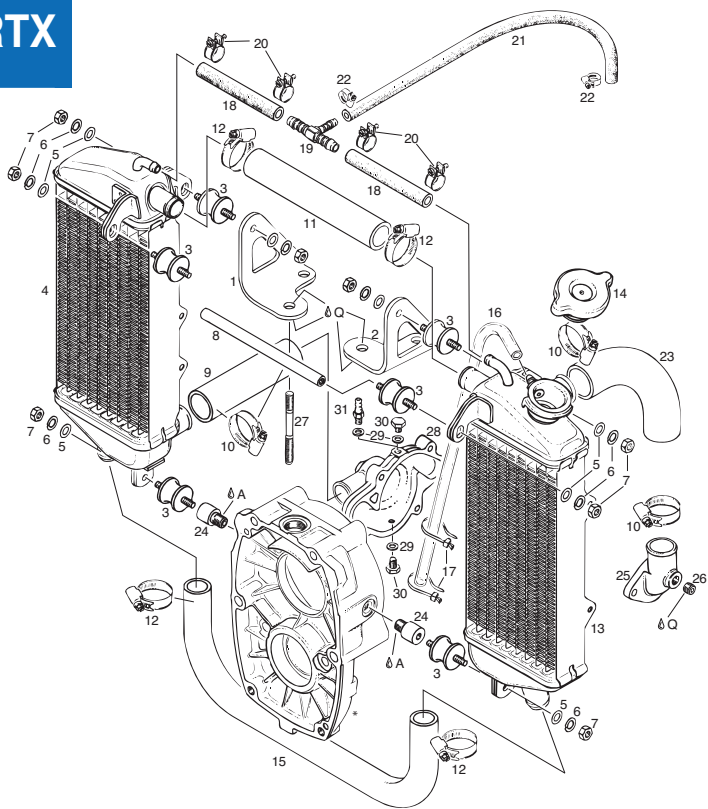




2 STROKE RADIATORS

RTX

ROTAX 582 UL 99/17 2-PIECE RADIATOR SET (LOW CONFIGURATION)



♠ A: LOCTITE 221
♠ Q: SILASTIC 732 RTV

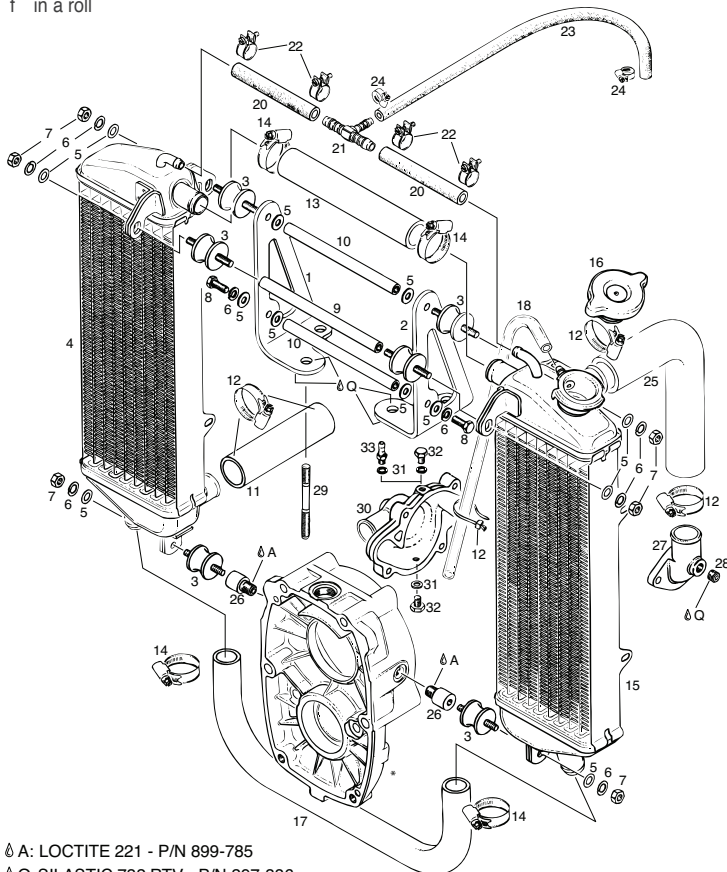
Item No.	Part No	Description	Qty. Req.	Price
1-23	881-433	RADIATOR SET (was 881-410)	1	\$885.04
1	851-120	RADIATOR BRACKET RIGHT	1	\$42.55
2	851-125	RADIATOR BRACKET LEFT	1	\$42.55
3	260-657	RUBBER BUFFER 25X20XM6	6	\$26.40
5	244-211	WASHER 6,4 DIN 134	8	\$0.21
6	945-751	LOCK WASHER A6 DIN 128	8	\$0.21
7	242-211	HEX.NUT M6	8	\$0.41
8	847-600	DISTANCE TUBE	1	\$45.68
9	922-115	CONNECTING HOSE 110 MM	1	\$31.41
10	951-880	CLAMP 20-32	4	\$6.27
11	922-124	CONNECTING HOSE 150 MM	1	\$20.91
12	951-870	CLAMP 16-25	4	\$5.97
14	922-075	RADIATOR CAP WITH GASKET 1,2 BAR	1	\$78.85
15	922-193	WATER TUBE	1	\$91.15
16	974-530	FUEL HOSE A5X8	NBf	\$14.52
17	866-710	CLAMP 142X2,5 MM	2	\$1.26
18	956-260	LOW PRESSURE HOSE GC 7,5X12,5	NBf	\$48.99
19	974-839	REDUCTION T-PEACE 8-6-8	1	\$16.68
20	951-241	CLAMP 12	4	\$4.85
21	860-300	LOW PRESSURE HOSE GC 6X11	ARf	\$55.25
22	951-898	CLAMP 7-11	2	\$8.64
23	922-113	BENT HOSE	1	\$45.68
24	847-760	THREADED SPACER M6/M10	2b	\$5.52
24	847-730	SPACER 6,5/18/9	2c	\$17.81
25	922-061	BENT OUTLET SOCKET	1	\$54.47
26	240-480	PLUG SCREW 1/8-27NPT	1	\$5.47
29	230-415	SEALING RING A 6X10 DIN 7603	2	\$1.40
30	841-580	HEX.SCREW M6X8	2	\$0.57
31	940-551	HOSE NIPPLE	1d	\$17.20

- a cooling surface 2,4 dm² (37.2 in²)
- b from engine S/N: 3,916.823
- c up to engine S/N: 4,916.822
- d for evacuation of air, at installation of engine with spark plugs down.
- e longer studs for 582 UL mod. 90 and 618 UL.
- f in a roll

ROTAX 582 UL 99/17 2-PIECE RADIATOR SET (HIGH CONFIGURATION)

Item No.	Part No	Description	Qty. Req.	Price
1-25	881-433	RADIATOR SET	1	\$885.04
1	851-122	RADIATOR BRACKET RIGHT	1	\$66.30
2	851-127	RADIATOR BRACKET LEFT	1	\$66.30
3	260-657	RUBBER BUFFER 25X20XM6	6	\$26.40
4	995-914	RADIATOR WITHOUT FILLER CAP	1a	\$455.45
5	244-211	SWASHER 6,4 DIN 134	12	\$0.21
6	945-751	LOCK WASHER A6 DIN 128	8	\$0.21
7	242-211	HEX. NUT M6	6	\$0.41
8	241-186	HEX. SCREW M6X16	2	\$0.48
9	847-600	DISTANCE TUBE	1	\$45.68
10	847-605	DISTANCE BOLT	2	\$45.68
11	922-115	CONNECTING HOSE 110 MM	1	\$31.41
12	951-880	CLAMP 20-3	4	\$6.27
13	922-124	CONNECTING HOSE 150 MM	1	\$20.91
14	951-870	CLAMP 16-25	4	\$5.97
16	922-070	RADIATOR CAP WITH GASKET 1,2 BAR	1	\$82.46
17	922-193	WATER TUBE	1	\$91.15
18	974-530	FUEL HOSE A5X8	NBf	\$14.52
19	866-710	CLAMP 142X2,5 MM	1	\$1.26
20	956-260	LOW PRESSURE HOSE GC 7,5X12,5	NBf	\$48.99
21	974-839	REDUCTION T-PEACE 8-6-8	1	\$16.68
22	951-241	CLAMP 12	4	\$4.85
23	860-300	LOW PRESSURE HOSE GC 6X11	NBf	\$55.25
24	951-898	CLAMP 7-11	2	\$8.64
25	922-381	BENT HOSE 25/90 DEGR.	1	\$73.01
26	847-730	SPACER 6,5/18/9	2c	\$17.81
27	922-061	BENT OUTLET SOCKET	1	\$54.47
28	240-480	PLUG SCREW 1/8-27NPT	1	\$5.47
30	922-503	WATER PUMP HOUSING	1	\$253.77
31	230-415	SEALING RING A 6X10 DIN 7603	2	\$1.40
32	841-580	HEX. SCREW M6X8	2	\$0.57
33	940-551	HOSE NIPPLE M6	1d	\$17.20

- a cooling surface 3,2 dm² (49,6 in²)
- b from engine S/N: 3,916.823
- c up to engine S/N: 4,916.822
- d for evacuation of air, at installation of engine with spark plugs down.
- e longer studs for 582 UL mod. 90 and 618 UL
- f in a roll.



♠ A: LOCTITE 221 - P/N 899-785
♠ Q: SILASTIC 732 RTV - P/N 297-386