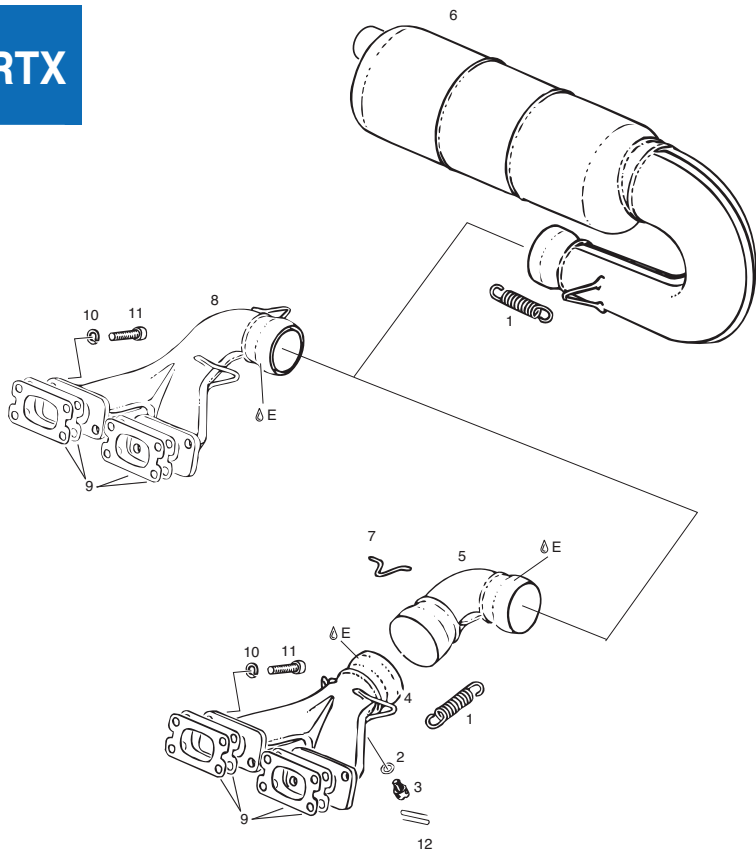
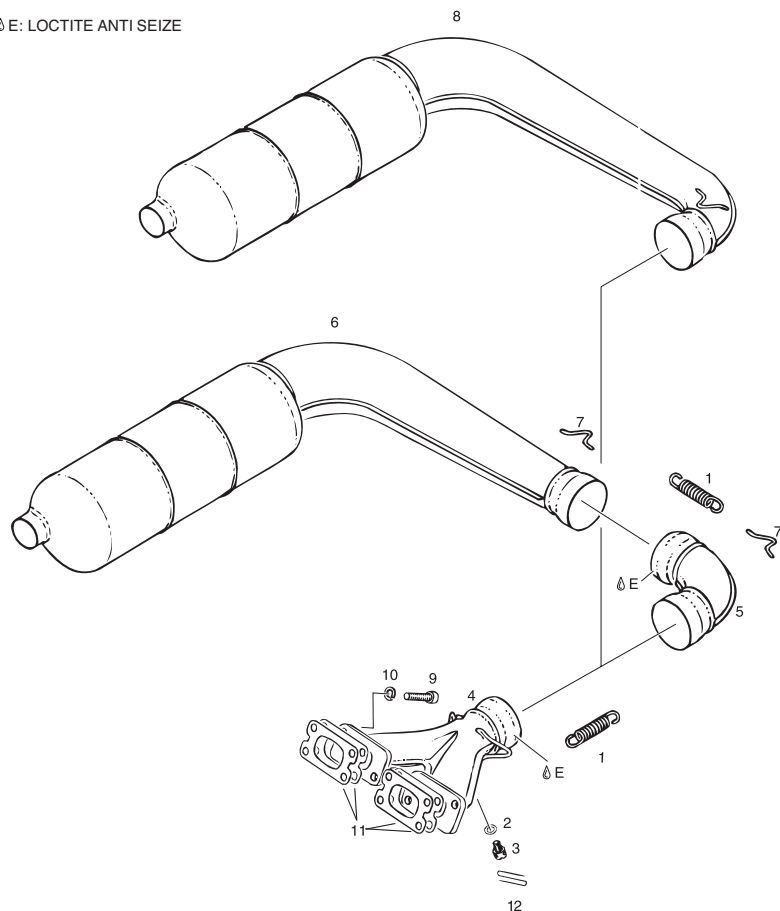


RTX



⚠ E: LOCTITE ANTI SEIZE



⚠ E: LOCTITE ANTI SEIZE

ROTAX 503, 582 UL 99/17 EXHAUST SYSTEMS CONFIGURATION SIDEMOUNT

Item No.	Part No	Description	Qty. Req.		Price
			503 UL	582 UL	
1-6	881-662	EXHAUST ASSORTMENT	1		\$656.57
1-7	881-635	EXHAUST ASSORTMENT		1	\$656.57
1	938-795	SPRING 66 MM	6		\$3.39
1	938-790	RETURN SPRING		6	\$7.85
2	950-141	GASKET RING A 8X13 DIN 7603	2	2	\$1.30
3	941-615	CAPSTAN SCREW M8X1X10	2	2	\$9.18
4	973-121	EXHAUST MANIFOLD ASSEMBLY		1a	\$251.07
4	973-123	EXHAUST MANIFOLD ASSEMBLY		1b	\$255.71
5	973-180	CONNECTING ELBOW ASSEMBLY	1a	1a	\$161.85
5	973-182	CONNECTING ELBOW ASSEMBLY	1b	1b	\$179.70
6	973-198	MUFFLER ASSEMBLY		1b	\$540.98
6	973-197	MUFFLER ASSEMBLY		1a	\$540.98
7	853-355	HOOK	NB	NB	\$1.92
9	831-849	GASKET 1,0 MM	4		\$9.70
9	850-633	GASKET		2c	\$12.66
10	945-752	LOCK WASHER A8	4	6	\$0.21
11	840-991	ALLEN SCREW M8X30	4	6	\$1.40
12	01-15725	SAFETY WIRE .032 25 FT.	NB	NB	\$1.25

- a without hooks
- b with hooks
- c see also SI-2ST-002
- d no longer in available

ROTAX 503, 582 UL 99/17 EXHAUST SYSTEMS CONFIG.: 1 X 90° WITH CONNECTING ELBOW AND 2 X 90°

Item No.	Part No	Description	Qty. Req.		Price
			503 UL	582 UL	
1-6	881-660	EXHAUST ASSORTMENT	1a		\$656.57
1-7	881-661	EXHAUST ASSORTMENT		1b	\$656.57
1-7	881-633	EXHAUST ASSORTMENT		1a	\$656.57
1	938-795	SPRING 66 MM	6		\$3.39
1	938-790	RETURN SPRING		6	\$7.85
2	950-141	GASKET RING A 8X13 DIN 7603	2	2	\$1.30
3	941-615	CAPSTAN SCREW M8X1X10	2	2	\$9.18
4	973-121	EXHAUST MANIFOLD ASSEMBLY		1a	\$251.07
4	973-123	EXHAUST MANIFOLD ASSEMBLY		1b	\$255.71
5	973-180	CONNECTING ELBOW ASSEMBLY	1c	1c	\$161.85
5	973-182	CONNECTING ELBOW ASSEMBLY		1b	\$179.70
6	973-274	MUFFLER ASSEMBLY	1c	1c	\$608.13
6	973-275	MUFFLER ASSEMBLY	1b	1b	\$608.13
7	853-355	HOOK	NB	AR	\$1.92
9	840-991	ALLEN SCREW M8X30	4	6	\$1.40
10	945-752	LOCK WASHER A8	4	6	\$0.21
11	831-849	GASKET 1.0 MM	4		\$9.70
11	850-633	GASKET		2d	\$12.66

- a hooks (part no. 853355) attached, not welded.
- b hooks (part no. 853355) already welded.
- c without hooks
- d see also SI-2ST-002