

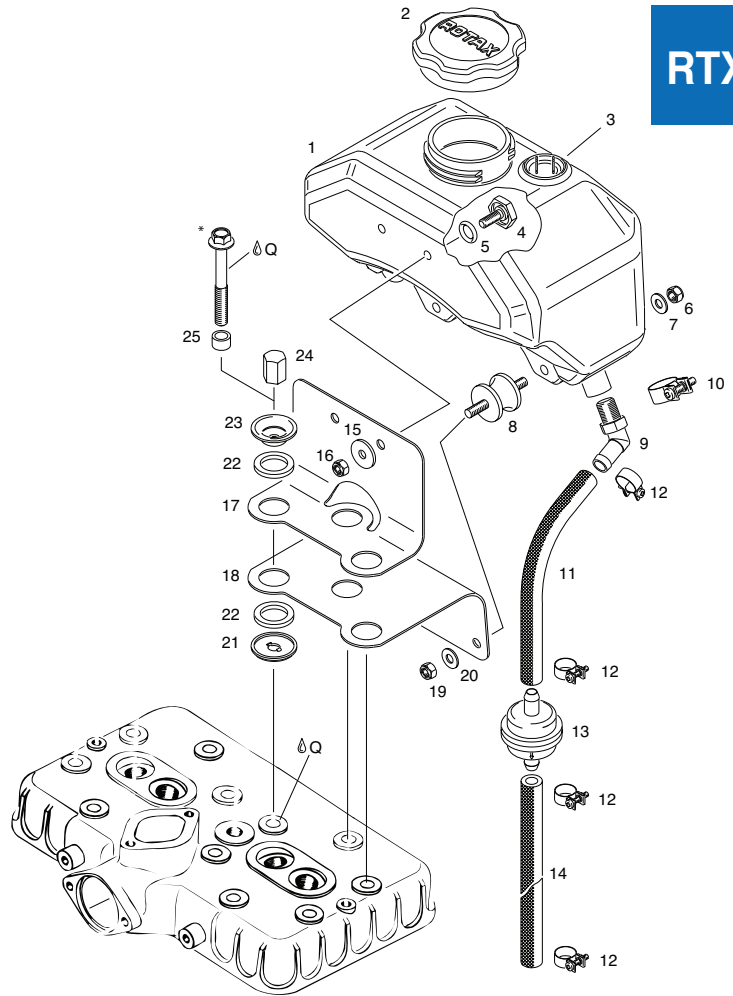
2 STROKE OIL TANK FOR OIL INJECTION

ROTAX 582 UL 99/17 - OIL TANK ASSEMBLY

RTX

| Item No. | Part No | Description | Qty. Req. | Price |
|----------|---------|-----------------------------|-----------|----------|
| 1-16 | 881-460 | OIL TANK SET | 1 | \$169.73 |
| 2 | 874-106 | TANK CAP ASSEMBLY | 1 | \$24.57 |
| 3 | 956-360 | OIL LEVEL INDICATOR | 1 | \$67.86 |
| 4 | 840-160 | TIGHTENING SCREW | 2c | \$14.57 |
| 5 | 430-020 | O-RING 9,3X2,4 | 2c | \$5.52 |
| 6 | 842-042 | LOCK NUT M6 | 2 | \$2.66 |
| 7 | 244-211 | WASHER 6,4 DIN 134 | 2 | \$0.21 |
| 8 | 260-657 | RUBBER BUFFER 25X20XM6 | 2 | \$26.40 |
| 9 | 922-242 | ANGULAR TUBE 1/4-18NPT | 1 | \$18.14 |
| 10 | 853-726 | CLAMP MINI 16 W1 | 1 | \$4.95 |
| 11 | 956-231 | OIL LINE 140 MM | 1 | \$10.92 |
| 12 | 951-260 | CLAMP 14 | 4 | \$4.95 |
| 13 | 956-330 | OIL FILTER | 1 | \$29.35 |
| 14 | 956-233 | OIL LINE 450 MM | 1 | \$27.14 |
| 15 | 227-900 | WASHER 6,2/20/2 | 2 | \$4.59 |
| 16 | 842-042 | LOCK NUT M6 | 2 | \$2.66 |
| 17 | 851-230 | OIL TANK BRACKET UPPER HALF | 1 | \$55.44 |
| 18 | 851-235 | OILTANK BRACKET LOWER HALF | 1 | \$55.44 |
| 19 | 842-042 | LOCK NUT M6 | 2 | \$2.66 |
| 20 | 244-211 | WASHER 6,4 DIN 134 | 2 | \$0.21 |
| 21 | 944-092 | SHIM 8,2 | 3 | \$10.00 |
| 22 | 960-865 | RUBBER WASHER 18/26/3 | 6 | \$1.92 |
| 23 | 827-817 | CUP WASHER | 3 | \$12.95 |
| 25 | 847-796 | SPACER 8,4/12/7,5 | 3b | \$10.84 |

a use at 582 UL mod 90 and 618 UL.
b use at 582 UL mod 99
c not available as spare part, use 881-460



∅ Q: SILASTIC 732 RTV

OVERVIEW OF THE EXHAUST SYSTEMS

OVERVIEW SHEET:

| | VERSION | EXHAUST MANIFOLD ASSEMBLY | | | | CONNECTING ELBOW ASSEMBLY | | | | MUFFLER ASSEMBLY | | | | |
|-------------------------------|------------|---------------------------|---------|----------|---------|---------------------------|---------|----------|---------|------------------|---------|----------|---------|----------|
| | | HOOKS | | YES | NO | YES | NO | YES | NO | YES | NO | | | |
| 503 UL DCD1 | SIDEMOUNT | 1 X 90° 2) | 831-849 | \$9.70 | - | - | 973-182 | \$179.70 | 973-180 | \$161.85 | 973-198 | \$540.98 | 973-274 | \$608.13 |
| | 1 X 90° 2) | | | | | | | | | | 973-275 | \$608.13 | | |
| | STRAIGHT | | | | | | | | | | 973-191 | \$497.80 | | |
| 582 UL DCD1 99 / 17 DCDI 48kW | SIDEMOUNT | 1 X 90° 2) | 973-123 | \$255.71 | 973-121 | \$251.07 | 973-182 | \$179.70 | 973-180 | \$161.85 | 973-197 | \$540.98 | 973-274 | \$608.13 |
| | 1 X 90° 2) | | | | | | | | | | 973-275 | \$608.13 | | |
| | STRAIGHT | | | | | | | | | | 973-192 | \$497.80 | | |

1) double wall, noise reduced version)
2) with connecting elbow

| | SPRING | EXHAUST GASKET | GASKET RING A8x13 | CAPSTAN SCREW M8X1X10 |
|-------------------------------|---------|----------------|-------------------|-----------------------|
| 503 UL DCD1 | 938-795 | \$3.39 | 831-849 | \$9.70 |
| 582 UL DCD1 99 / 17 DCDI 48kW | 938-790 | \$7.85 | 850-633 | \$12.66 |
| | | | 950-141 | \$1.30 |
| | | | 941-615 | \$9.18 |