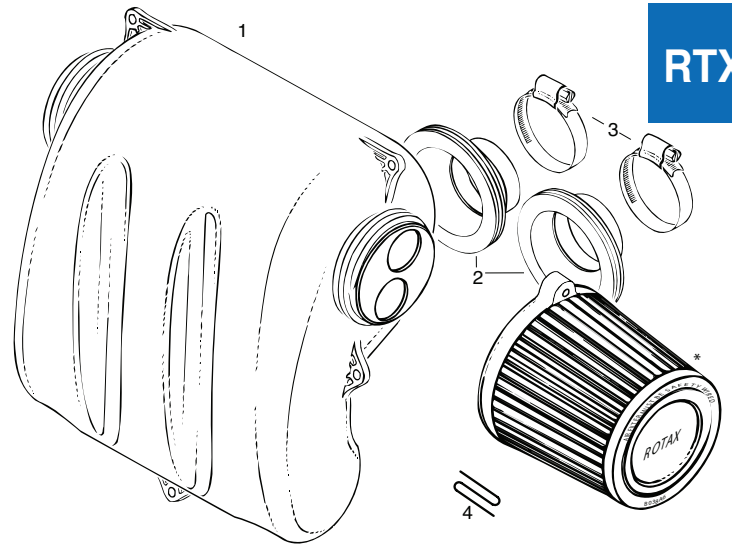
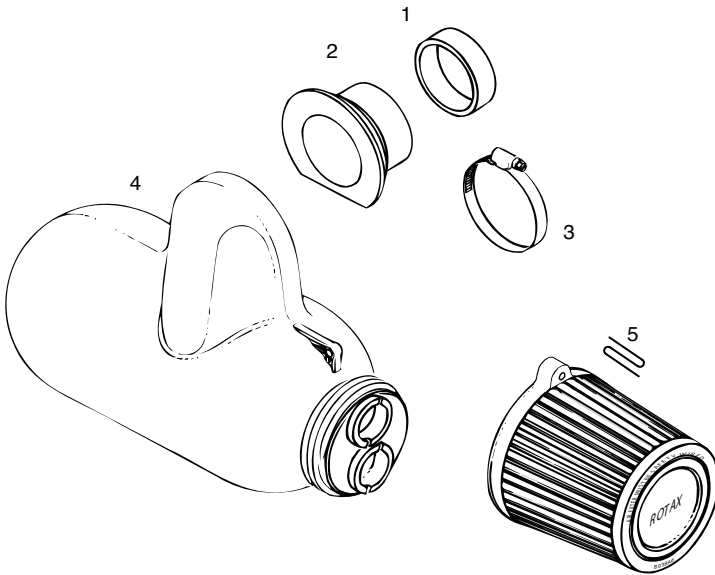


2 STROKE INTAKE SILENCERS

ROTAX 503 UL INTAKE SILENCER

Item No.	Part No	Description	Qty. Req.	Price
1-4	825-760	INTAKE SILENCER SET 1-V	1	\$108.46
1	860-160	ADAPTOR RING	1	\$11.16
2	825-440	ADAPTOR	1	\$51.73
3	951-791	CLAMP 50-70	1	\$9.34
4	825-337	INTAKE SILENCER ASSEMBLY	1	CALL

a not as spare part available.



RTX

ROTAX 503, 582 UL 99/17 INTAKE SILENCER

Item No.	Part No	Description	Qty. Req.	Price
1-3	825-762	INTAKE SILENCER SET 2-V	1a	\$172.87
1-3	825-764	INTAKE SILENCER SET 2-V	1b	\$196.14
1	825-657	INTAKE SILENCER ASSEMBLY	1a	\$228.87
1	825-659	INTAKE SILENCER ASSEMBLY	1b	\$228.87
2	825-662	SILENCER SOCKET	2	\$51.73
3	951-791	CLAMP 50-70	2	\$9.34
4	01-15725	SAFETY WIRE .032 25 FT.	NBc	\$1.25

a if installed with filter on top.
b if installed with filter on bottom.
c not as spare part available.

ROTAX 582 UL 99/17 INTAKE SILENCER

Item No.	Part No	Description	Qty. Req.	Price
1-17	825-743	INTAKE SILENCER SET 2-V	1	\$290.16
1-6	825-740	INTAKE SILENCER W/ FRAME	1	\$368.45
2	953-151	FRAME	1	\$136.76
3	860-700	RUBBER 20X10XM6	2	\$23.11
4	244-213	WASHER 6,4	13	\$1.00
5	940-563	HEX. SCREW M6X20	5	\$2.76
6	842-042	LOCK NUT M6	8	\$2.66
7	953-166	INTAKE SILENCER BRACKET MS	1	\$66.30
8	953-163	INTAKE SILENCER BRACKET AS	1	\$77.28
9	845-382	LOCK WASHER A8	3	\$1.23
10	940-583	HEX. SCREW M8X16 STAINLESS STEEL	3	\$3.19
11	845-381	LOCK WASHER A6	2	\$0.57
12	847-608	DISTANCE BAR	1	\$100.16
13	956-236	PROTECTION HOSE	1	\$6.46
14	260-657	RUBBER BUFFER 25X20XM6	1	\$26.40
15	851-129	INTAKE SILENCER BRACKET	1	\$37.45
16	825-662	SILENCER SOCKET	2	\$51.73
17	951-791	CLAMP 50-70	2	\$9.34
18	01-15725	SAFETY WIRE .032 25 FT.	NBa	\$1.25

a not as spare part available.

