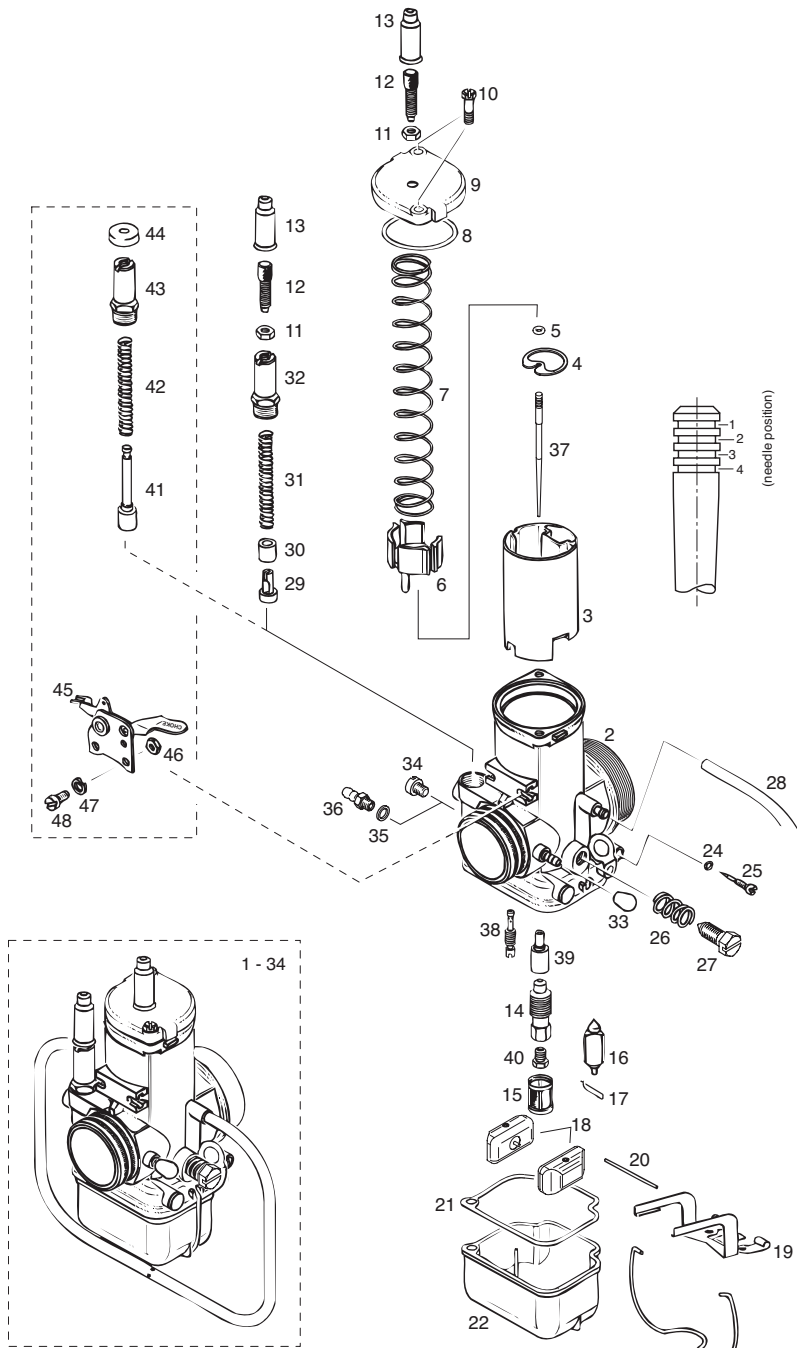


2 STROKE CARBURETORS

RTX

ROTAX 503, 582 UL 99/17 BING DOUBLE-FLOAT CARBURETOR 36 MM, MODEL 96

| Item No. | Part No | Description | Qty. Req. | | Price |
|----------|---------|-----------------------------------|-----------|-----|----------|
| | | | 503 | 582 | |
| 3 | 963-679 | CARBURETOR PISTON | 1 | 1 | \$103.80 |
| 4 | 963-500 | NEEDLE CLIP | 1 | 1 | \$7.95 |
| 5 | 950-430 | O-RING 2.5X1.5 | 1 | 1 | \$1.85 |
| 6 | 827-347 | SPRING CUP | 1 | 1 | \$9.50 |
| 7 | 938-655 | CARBURETOR PISTON SPRING 1, 25/14 | 1 | 1 | \$6.50 |
| 8 | 831-450 | RUBBER RING | 1 | 1 | \$7.70 |
| 9 | 963-721 | COVER PLATE WITH PIN | 1 | 1 | \$37.71 |
| 10 | 241-430 | HEX. SCREW M5X12 | 2 | 2 | \$1.60 |
| 11 | 942-541 | HEX. NUT M6X0,75 HIGHT 3 MM 3 | 2 | 2 | \$0.99 |
| 12 | 241-440 | ADJUSTMENT SCREW M6X0.75 | 2 | 2 | \$4.95 |
| 13 | 260-370 | RUBBER GROMMET | 2 | 2 | \$2.80 |
| 14 | 963-700 | MIXING TUBE | 1 | 1 | \$21.70 |
| 15 | 261-625 | SIEVE SLEEVE | 1 | 1 | \$10.65 |
| 16 | 261-705 | FLOAT NEEDLE VALVE W. VITON TIP | 1 | 1 | \$41.50 |
| 17 | 261-710 | FLOAT NEEDLE CLIP | 1 | 1 | \$1.95 |
| 18 | 861-184 | FLOAT (PAIR) | 1 | 1 | \$97.25 |
| 19 | 861-192 | FLOAT BRACKET | 1 | 1 | \$19.75 |
| 20 | 929-702 | PIN | 1 | 1 | \$2.55 |
| 21 | 830-720 | GASKET | 1 | 1 | \$10.65 |
| 22 | 261-010 | FLOAT CHAMBER ASSEMBLY | 1 | 1 | \$108.22 |
| 23 | 963-180 | SPRING CLIP | 1 | 1 | \$10.50 |
| 24 | 831-713 | O-RING 3.2X1.8 | 1 | 1 | \$3.85 |
| 25 | 963-155 | AIR REGULATING SCREW | 1 | 1 | \$13.50 |
| 26 | 938-640 | SPRING | 1 | 1 | \$3.35 |
| 27 | 963-167 | ADJUSTMENT SCREW | 1 | 1 | \$19.63 |
| 28 | 861-940 | AIR VENT LINE | 1 | 1 | \$12.95 |
| 29 | 963-740 | CHOKE PISTON WITH GASKET | 1 | 1 | \$11.50 |
| 30 | 268-850 | SLEEVE | 1 | 1 | \$4.60 |
| 31 | 661-050 | COMPRESSION SPRING | 1 | 1 | \$2.12 |
| 32 | 963-750 | CHOKE HOUSING | 1 | 1 | \$16.50 |
| 33 | 860-610 | RUBBER CAP | 1 | 1 | \$2.28 |
| 34 | 640-220 | SLOTTED HEAD SCREW M6X5 | 1 | 1 | \$7.84 |
| 35 | 230-415 | SEALING RING A 6X10 DIN 7603 | 1h | 1h | \$1.40 |
| 36 | 940-551 | HOSE NIPPLE M6 | 1h | 1h | \$17.20 |
| 41-48 | 995-667 | HAND LEVER CHOKE SET | 1 | 1 | \$51.90 |
| 41 | 268-847 | CHOKE PISTON WITH GASKET | 1 | 1 | \$27.60 |
| 42 | 239-730 | COMPRESSION SPRING | 1 | 1 | \$4.52 |
| 43 | 261-770 | CHOKE HOUSING | 1 | 1 | \$13.50 |
| 44 | 260-490 | RUBBER CAP | 1 | 1 | \$6.85 |
| 45 | 261-755 | CHOKE LEVER ASSEMBLY | 1 | 1 | \$29.65 |
| 46 | 261-200 | HEX. NUT M5 | 2 | 2 | \$1.43 |
| 47 | 945-750 | LOCK WASHER A5 | 2 | 2 | \$0.14 |
| 48 | 240-791 | SLOTTED HEAD SCREW M5X10 84 | 2 | 2 | \$0.48 |



- a base carburetor for air cooled engines with bowden cable choke.
NOTICE carburetor without calibration.
from engine S/N
503 UL: 4,795.201
- b NOTICE carburetor without calibration.
from engine S/N
582 UL mod. 90: 4,656.088
582 UL mod. 99: starting with serial production
- c carburetor housing, not available as spare part, use carburetor assy.
- d jet-needle, see carburetor calibration sheet
- e idle-jet, see carburetor calibration sheet
- f needle-jet, see carburetor calibration sheet
- g main-jet, see carburetor calibration sheet
- h only necessary on high altitude compensation kit (not available anymore)