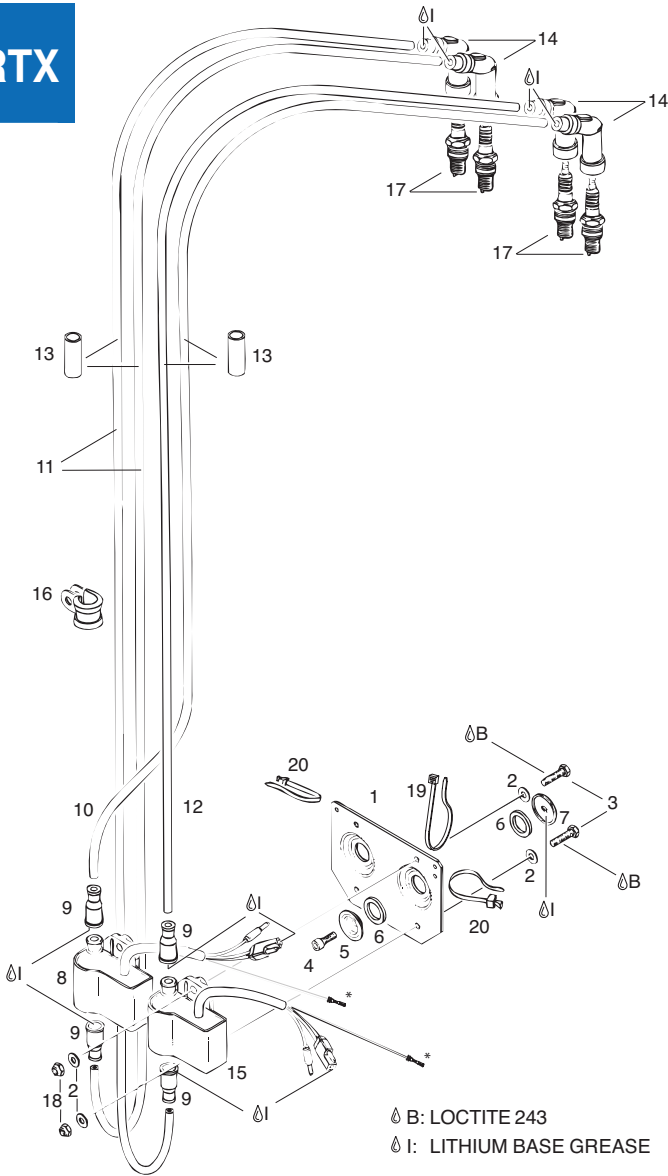


RTX



△ B: LOCTITE 243
△ I: LITHIUM BASE GREASE

ELECTRONIC BOXES AND SUPPORTING PLATE FOR CONFIGURATION: FREE AIR-COOLED

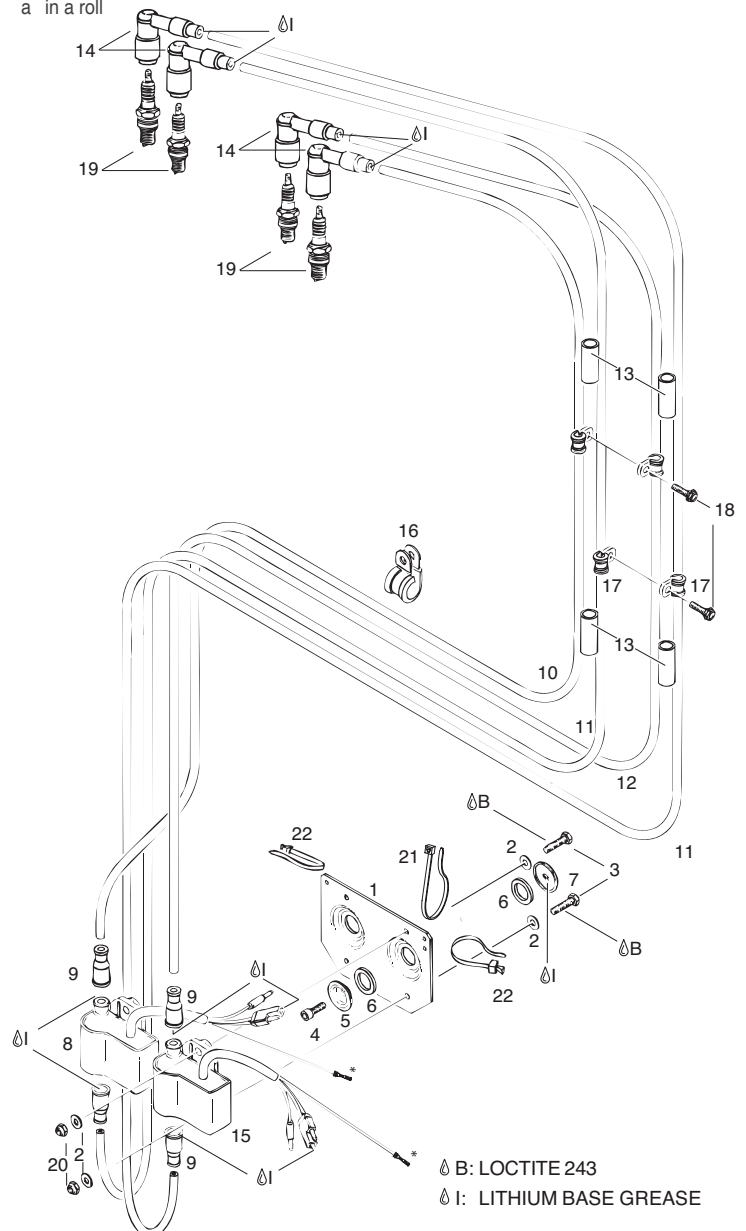
Item No.	Part No	Description	Qty. Req.	Price
1	851-040	MOUNTING PLATE 1	1	\$63.89
2	244-211	WASHER 6,4 DIN 134	8	\$0.21
3	240-036	HEX. SCREW M6X25 DIN 933	4	\$0.85
4	241-236	ALLEN SCREW M6X16	2	\$0.66
5	827-815	DISTANCE CAP	2	\$9.83
6	960-865	RUBBER WASHER 18/26/3	4	\$1.92
7	944-090	SHIM 6,05	2	\$10.00
8	966-462	ELECTRONIC BOX	1	\$355.36
9	960-550	PROTECTION CAP	4	\$3.19
10-12	965-153	IGNITION CABLE 1,5/7 MM	NBa	\$15.58
13	830-962	PROTECTION HOSE 12X16X40	4	\$2.28
14	866-702	SPARK PLUG CONNECTOR	4	\$34.13
15	966-467	ELECTRONIC BOX	1	\$367.95
16	851-100	CABLE CLAMP 18	1	\$12.95
17	897-055	SPARK PLUG 14 MM, NGK BR 8 ES	4	\$2.50
18	842-044	LOCK NUT M6	4	\$2.66
19	251-920	CLAMP 279X3.6 MM	1	\$1.97
20	866-710	CLAMP 142X2.5 MM	2	\$1.26

a in a roll

ELECTRONIC BOXES AND SUPPORTING PLATE FOR CONFIGURATION: FREE AIR-COOLED

Item No.	Part No	Description	Qty. Req.	Price
2	244-211	WASHER 6,4 DIN 134	8	\$0.21
3	240-036	HEX. SCREW M6X25 DIN 933	4	\$0.85
4	241-236	ALLEN SCREW M6X16	2	\$0.66
5	827-815	DISTANCE CAP	2	\$9.83
6	960-865	RUBBER WASHER 18/26/3	4	\$1.92
7	944-090	SHIM 6,05	2	\$10.00
8	966-462	ELECTRONIC BOX	1	\$355.36
9	960-550	PROTECTION CAP	4	\$3.19
10-12	965-153	IGNITION CABLE 1,5/7 MM	NBa	\$15.58
13	830-962	PROTECTION HOSE 12X16X40	4	\$2.28
14	866-705	SUPPRESSED SPARK PLUG CONNECTOR	4	\$26.31
15	966-467	ELECTRONIC BOX	1	\$367.95
16	851-100	CABLE CLAMP 18	1	\$12.95
17	853-412	CABLE CLAMP	4	\$5.69
18	941-250	TAPTITE-SCREW M6X20	2	\$1.61
19	897-055	SPARK PLUG 14 MM, NGK BR 8 ES	4	\$1.97
20	842-040	LOCK NUT M6	4	\$1.26
21	251-920	CLAMP 279X3.6 MM	1	\$1.97
22	866-710	CLAMP 142X2.5 MM	2	\$1.26

a in a roll



△ B: LOCTITE 243
△ I: LITHIUM BASE GREASE