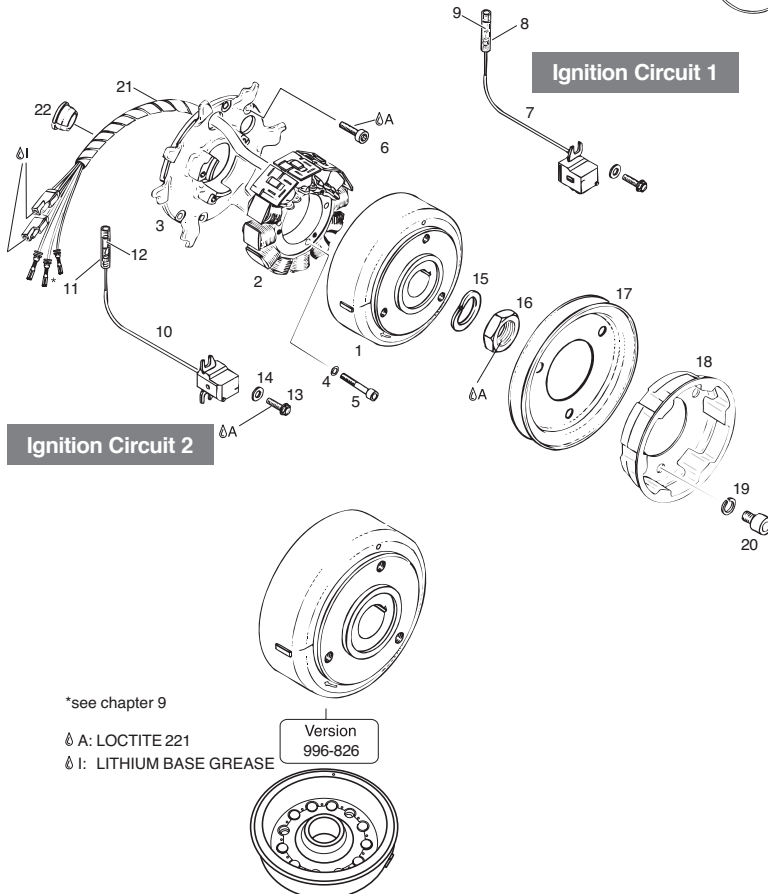
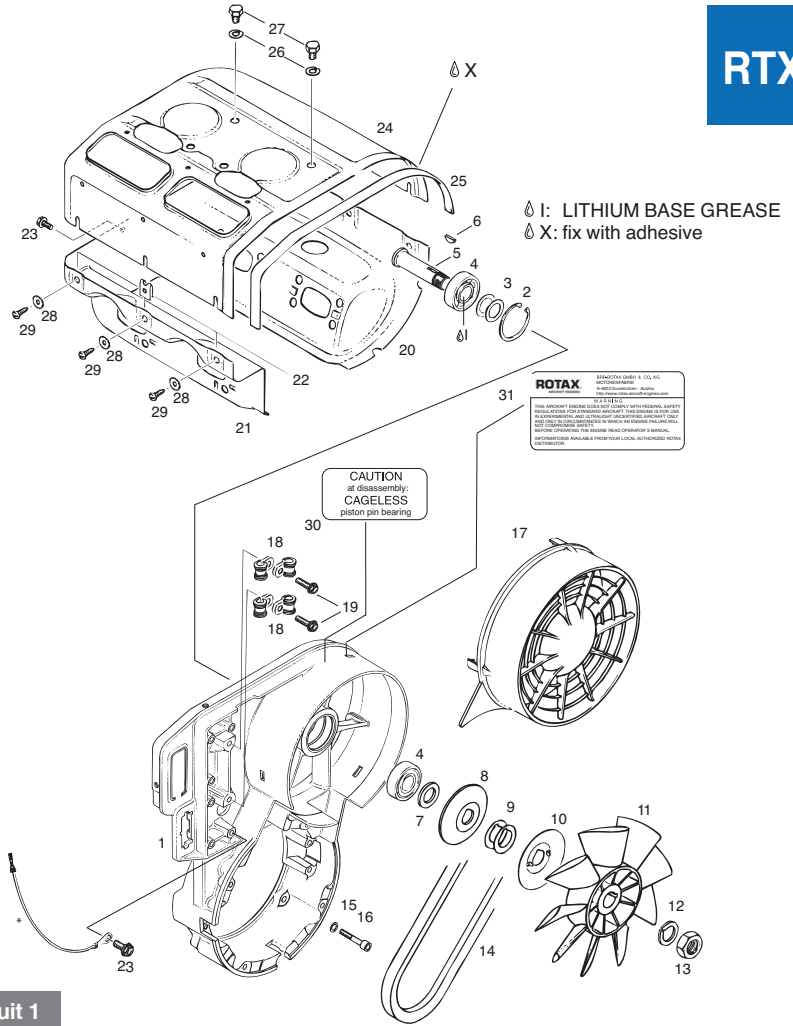


503 UL ENGINE

RTX

FAN HOUSING, CYLINDER COWLS, FAN, V-BELT

Item No.	Part No	Description	Qty. Req.	Price
2	945-880	RETAINING RING 40X1, 75	1	\$3.19
3	244-585	SHIM 17, 5/24/1,0	2	\$1.61
4	832-161	BALL BEARING 6203-2RS C3, 17-40-12	2	\$37.54
5	937-940	FAN SHAFT	1	\$95.40
6	246-015	WOODRUFF KEY 3X5	1	\$3.32
7	827-650	DISTANCE SLEEVE 17, 3/28/2, 8	1	\$11.70
8	980-496	PULLEY HALF	1	\$12.83
9	827-080	SHIM 17, 5/27/0, 5	AR	\$1.61
9	827-082	SHIM 17, 5/27/0, 2	AR	\$1.76
10	980-523	PROTECTION WASHER	1	\$10.65
11	866-292	FAN	1	\$122.09
12	945-756	LOCK WASHER 16	1	\$1.26
13	942-289	HEX. NUT M16X1,5	1	\$7.14
14	980-518	V-BELT 10X6X610	1	\$37.60
15	945-751	LOCK WASHER A6 DIN 128	4	\$0.21
16	840-880	ALLEN SCREW M6X30 DIN 912	4	\$0.57
17	975-695	FAN-COVER	1	\$42.18
18	853-412	CABLE CLAMP	4	\$5.69
19	941-250	TAPTITE-SCREW M6X20	2	\$1.61
20	810-273	CYLINDER COWL, LOWER HALF LEFT	1	\$217.44
21	810-270	CYLINDER COWL, LOWER HALF RIGHT	1	\$190.44
22	842-390	SPRING NUT V 4,8	8	\$1.40
23	240-385	TAPTITE-SCREW M6X12	2	\$1.54
24	912-215	CYLINDER COWL ASSEMBLY, UPPER HALF	AR	\$347.08
25	960-961	SEALING STRIP 440 MM	1	\$8.30
26	945-752	LOCK WASHER A8	4	\$0.21
27	940-580	HEX. SCREW M8X16	4	\$1.09
28	845-330	WASHER 5, 1X16X1, 2	8	\$0.85
29	841-495	SELF-TAPPING SCREW 4.8X16	8	\$0.36
30	897-280	CAGELESS LABEL	AR	\$1.76
31	897-501	RED WARNING LABEL	AR	\$6.61



DUCATI MAGNETO GENERATOR 12V 170W, STARTING PULLEY

Item No.	Part No	Description	Qty. Req.	Price
1	996-826	MAGNETO FLYWHEEL ASSEMBLY	1e	\$642.68
2	996-849	COIL KIT	1	\$749.00
3	966-207	STATOR PLATE	1	\$180.91
4	945-750	LOCK WASHER A5	5	\$0.14
5	940-880	ALLEN SCREW M5X30	3	\$0.92
6	641-521	TORX-ZYLINDER HEAD SCREW M5X16	2e	\$2.09
7-9	965-769	PICK UP ASSEMBLY	1a	\$168.60
8	964-072	INSULATION SHEATH	1	\$2.28
9	964-067	FASTON CONNECTOR 3, 96	1	\$2.28
10-12	965-761	PICKUP ASSEMBLY	1b	\$156.58
11	964-072	INSULATION SHEATH	1	\$2.28
12	964-067	FASTON CONNECTOR 3, 96	1	\$2.28
13	941-925	TAPTITE SCREW M5X16	4	\$1.26
14	827-800	WASHER A 5.5 DIN 6902	4	\$5.99
15	945-759	LOCK WASHER 22	1	\$1.76
16	842-239	HEX. NUT M22X1.5	1	\$12.83
17	980-486	V-BELT PULLEY	1	\$59.42
18	852-412	STARTING PULLEY	1	\$40.60
19	845-310	LOCK WASHER VHZ 8	3	\$0.41
20	841-520	ALLEN SCREW M8X12	3	\$1.35
21	966-060	SPIRAL HOSE 70 MM	1	\$11.09
22	860-962	CABLE GROMMET 24, 5/11	1c	\$8.64

- a for ignition circuit 1
- b for ignition circuit 2
- c from engine S/N: 4,795.397
- d in a roll
- e magneto flywheel new version (with closed cage), Torx screw also valid for old version. At disassembly and reassembly of the screw the thread has to be cleaned of the remaining coating and secured with Loctite 221. As an alternative a new screw can be used