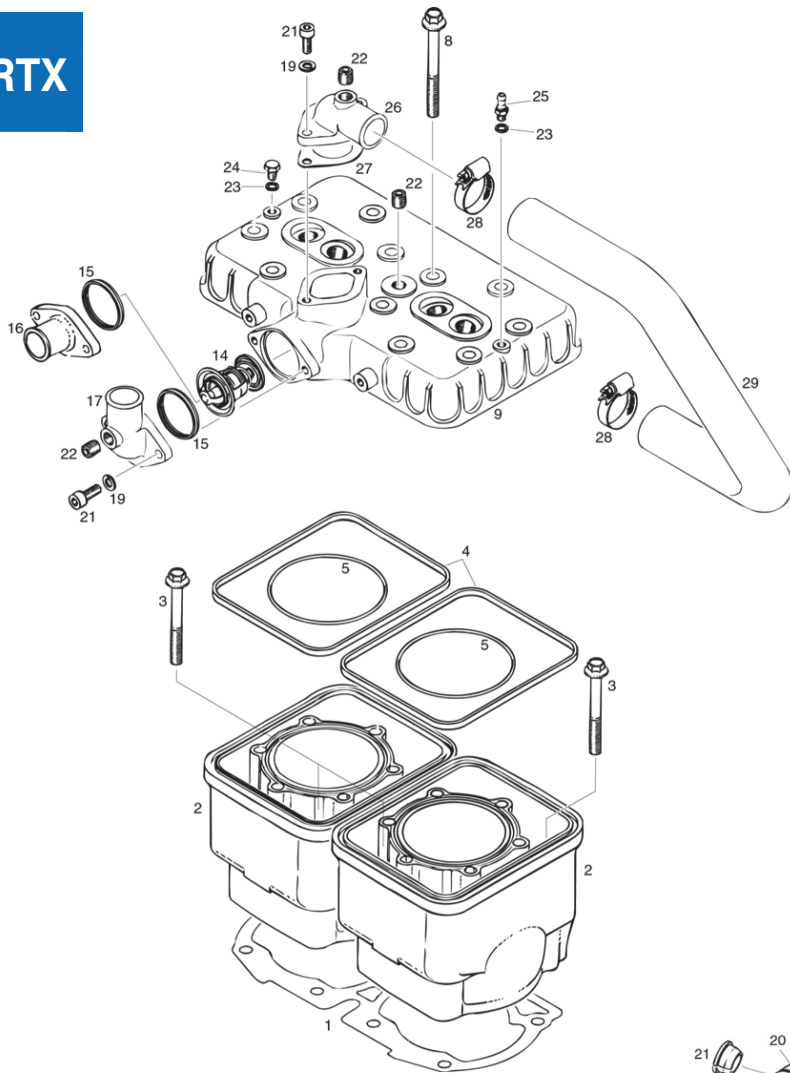




RTX



CYLINDER, CYLINDER HEAD

| Item No. | Part No | Description | Qty. Req. | | Price |
|----------|---------|--------------------------------|-----------|---------|------------|
| | | | mod. 99 | mod. 17 | |
| 1 | 850-775 | DOUBLE GASKET 0.5 MM | 1 | 1 | \$25.14 |
| 2 | 913-448 | CYLINDER WITH SLEEVE | 2a | 2a | \$1,265.79 |
| 3 | 640-952 | COLLAR HEX. SCREW M8x68.5 SW11 | 8 | 8 | \$4.99 |
| 4 | 850-040 | RUBBER RING 152.5/2.5/5 | 2 | 2 | \$8.03 |
| 5 | 850-540 | O-RING 83x2 | 2 | 2 | \$24.59 |
| 8 | 841-308 | COLLAR HEX. SCREW M8x65 SW11 | 12b | 12b | \$7.19 |
| 9 | 913-845 | CYLINDER HEAD | 1c | | \$901.05 |
| 9 | 913-848 | CYLINDER HEAD | | 1d | \$901.05 |
| 14-15 | 922-511 | THERMOSTAT WITH GASKET | 1 | 1 | \$100.71 |
| 16 | 922-025 | WATER OUTLET SOCKET | 1 | 1 | \$33.93 |
| 17 | 922-061 | BENT OUTLET SOCKET | 1 | 1 | \$54.47 |
| 19 | 945-751 | LOCK WASHER A6 | 2 | 2 | \$0.21 |
| 20 | 242-211 | HEX. NUT M6 | 2 | 2 | \$0.41 |
| 21 | 241-939 | ALLEN SCREW M6x20 | 2 | 2 | \$1.23 |
| 22 | 240-483 | PLUG SCREW 1/8-27NPT | 3 | 3 | \$8.25 |
| 23 | 230-415 | SEALING RING A6x10 | 2 | 2 | \$1.40 |
| 24 | 841-580 | HEX. SCREW M6x8 | 1 | 1 | \$0.57 |
| 25 | 940-558 | HOSE NIPPLE M6 | 1 | 1 | CALL |
| 26 | 922-063 | BENT OUTLET SOCKET | 1 | 1 | CALL |
| 27 | 850-338 | GASKET | 1 | 1 | \$7.46 |
| 28 | 951-880 | CLAMP 20-32 | 2 | 2 | \$6.27 |
| 29 | 922-521 | MOLDED HOSE 25/180 DEGR. | 1 | 1 | \$96.21 |

- Items not illustrated

a RED 76.00 mm - 76.01 mm (2.992 in) - 2.993 in).

b Usable for configuration with- and without 2-piece radiator.

c with spark plug thread M14x1.25

d with spark plug thread M12x1.25

DUCATI MAGNETO-GENERATOR 12V 170W, STARTING PULLEY

| Item No. | Part No | Description | Qty. Req. | Price |
|----------|---------|--------------------------------|-----------|----------|
| 1 | 996-826 | MAGNETO FLYWHEEL P12W170 | 1 | \$642.68 |
| 2 | 996-849 | COIL KIT | 1 | \$749.00 |
| 3 | 966-207 | STATOR PLATE | 1 | \$180.91 |
| 4 | 945-750 | LOCK WASHER A5 | 2 | \$0.14 |
| 5 | 940-880 | ALLEN SCREW M5X30 | 3 | \$0.92 |
| 6 | 641-521 | TORX-ZYLINDER HEAD SCREW M5X16 | 2d | \$2.09 |
| 7-9 | 965-761 | PICKUP ASSEMBLY | 1a | \$156.58 |
| 8 | 964-072 | INSULATION SHEATH | 1 | \$2.28 |
| 9 | 964-067 | FASTON CONNECTOR 3.96 | 1 | \$2.28 |
| 10-12 | 965-761 | PICK UP | 1b | \$156.58 |
| 11 | 964-072 | INSULATION SHEATH | 1 | \$2.28 |
| 12 | 964-067 | FASTON CONNECTOR 3.96 | 1 | \$2.28 |
| 13 | 941-925 | TAPTITE SCREW M5X16 | 4 | \$1.26 |
| 14 | 827-800 | WASHER A 5,5 DIN 6902 | 4 | \$5.99 |
| 15 | 965-497 | HYDRO DAMPER ASSEMBLY | 1 | \$353.53 |
| 16 | 945-759 | LOCK WASHER 22 | 1 | \$1.76 |
| 17 | 842-239 | HEX. NUT M22X1,5 | 1 | \$12.83 |
| 18 | 852-411 | STARTING PULLEY | 1 | \$40.60 |
| 20 | 966-060 | SPIRAL HOSE 6.5x8.5x0.6 | ARc | \$11.09 |
| 21 | 960-288 | CABLE GROMMET 20.5/11 | 1 | \$9.47 |

- Items not illustrated

a For ignition circuit 1.

b For ignition circuit 2.

c In a roll.

d Without rewind starter.

