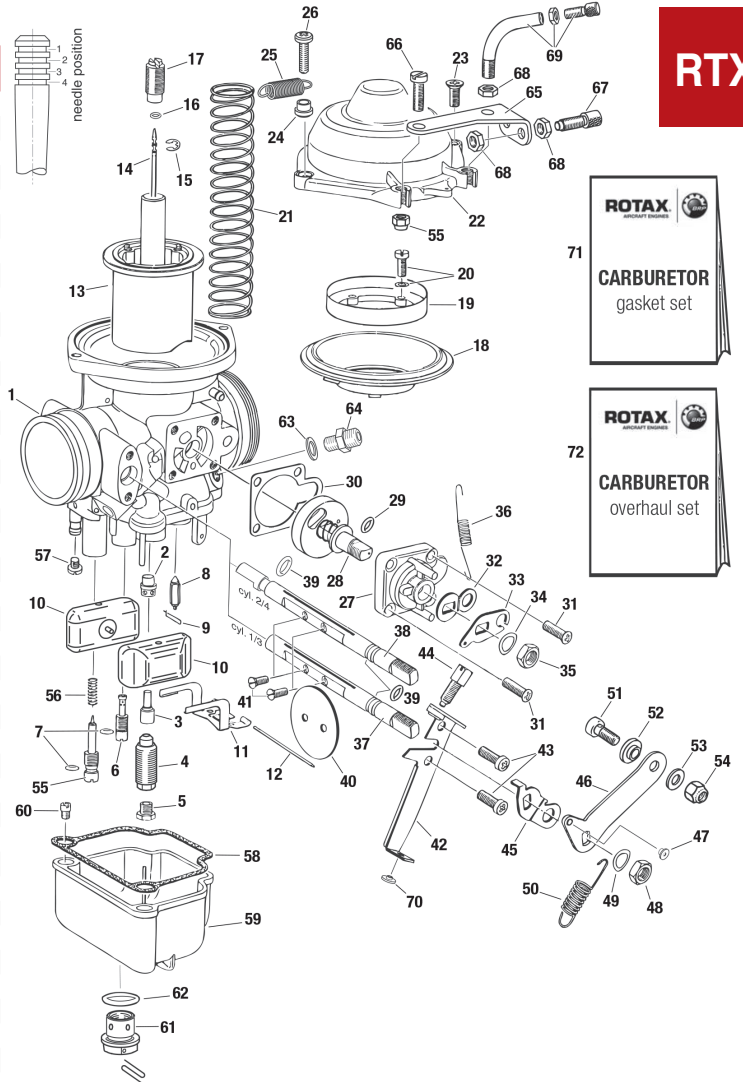


912 | 914 ENGINE

CARBURETOR - SINGLE PARTS 914 SERIES

Item No.	Part No	Description	Qty. Req.	Price
2	961-200	DIFFUSER	1	\$19.50
3	261-607	NEEDLE JET 2.72	1	\$22.10
4	963-135	MIXING TUBE	1	\$89.95
5	268-997	MAIN JET 156	1g	\$11.99
5	268-996	MAIN JET 158	1b,g	\$11.50
5	268-985	MAIN JET 160	1h	\$11.50
5	268-993	MAIN JET 164	1b,h	\$11.50
6	963-141	IDLE JET 30	1	\$30.70
6	963-143	IDLE JET 35	1	\$44.60
7	831-713	O-RING 3.2x0.8	2f	\$3.85
8	261-708	FLOAT NEEDLE VALVE W. VITON TIP	1f	\$43.65
9	261-710	FLOAT NEEDLE CLIP	1	\$1.95
10	861-188	FLOATS PAIR	1i	\$131.75
11	861-192	FLOAT BRACKET	1	\$19.75
12	929-702	PIN	1	\$2.55
13	961-230	CARBURETOR PISTON	1	\$148.75
14	961-215	JET NEEDLE	1	\$11.55
15	945-785	CIRCLIP	1	\$1.85
16	950-430	O-RING 2.5x1.5-N	1	\$1.85
17	961-293	FIXATION SCREW	1e	\$20.50
18	861-116	DIAPHRAGM	1	\$95.19
19	961-240	RETAINING RING	1	\$49.50
20	841-210	COMBINED SCREW M4x12	4	\$2.95
21	938-365	THROTTLE VALVE SPRING	1	\$17.60
22	961-250	CHAMBER TOP	1	\$132.75
23	841-341	COUNTERSUNK SCREW M5x12	1	\$1.15
24	847-910	DISTANCE SLEEVE	1	\$11.95
25	838-242	SPRING	1	\$13.50
26	640-251	OVAL HEAD SCREW M5x20	1	\$1.02
27	961-280	CHOKE HOUSING	1	\$37.99
28	961-273	CHOKE VALVE ASSEMBLY 1/3	1a,f	\$282.63
28	961-278	CHOKE VALVE ASSEMBLY 2/4	1b,f	\$282.63
29	950-420	O-RING 5x1.5	1	\$6.65
30	950-030	GASKET	1	\$4.60
31	841-360	SLOTTED HEAD SCREW M4x14	4	\$1.90
32	848-241	CHOKE LEVER INSIDE	1	\$6.20
33	848-245	CHOKE LEVER OUTSIDE	1	\$7.95
34	845-035	SPRING WASHER 8.3/13.6/0.4	2	\$6.55
35	942-290	HEX. NUT M8x1	2	\$3.65
36	938-287	RETURN SPRING	1	\$10.50
37	963-992	THROTTLE SHAFT	1a	\$32.80
38	963-994	THROTTLE SHAFT (long)	1b	\$128.75
39	950-020	O-RING 6x1.9	2j	\$7.50
40	963-666	THROTTLE VALVE	1	\$15.50
41	941-200	SLOTTED HEAD SCREW M3x6	2	\$1.95
42	961-262	CABLE SUPPORT 1/3	1a,f	\$22.50
42	961-267	CABLE SUPPORT 2/4	1b,f	\$22.50
43	240-357	OVAL HEAD SCREW M4x10	2	\$0.62
44	963-162	THROTTLE VALVE STOP SCREW	1	\$10.95
45	848-232	STOP LEVER 2/4	1b	\$8.99
45	848-230	STOP LEVER 1/3	1a	\$8.95
46-47	963-026	THROTTLE VALVE LEVER 1/3	1a,f	\$41.55
46-47	963-021	THROTTLE VALVE LEVER 2/4	1b,f	\$47.70
47	963-015	SLEEVE	1	\$4.35
48	942-290	HEX. NUT M8x1	2	\$3.65
49	845-035	SPRING WASHER 8.3/13.6/0.4	2	\$6.55
50	938-289	RETURN SPRING	1	\$11.60
51	241-847	ALLEN SCREW M5x12	1	\$14.55
52	847-740	GRADUATED SLEEVE	1	\$14.95
53	827-800	WASHER A5.5	1	\$5.99
54	842-030	LOCK NUT M5 2 2	1	\$2.05
55	961-222	IDLE MIXTURE SCREW	1	\$32.95
56	239-463	COMPRESSION SPRING	1f	\$1.82
57	941-740	SLOTTED HEAD SCREW M3.5x5	1	\$1.53
58	830-721	GASKET (rubber)	1 n	\$21.76
58	830-728	GASKET (paper)	1m	\$21.76
59-60	963-235	FLOAT CHAMBER ASSEMBLY 1/3	1	\$107.91
59-60	963-237	FLOAT CHAMBER ASSEMBLY 2/4	1	\$105.99
60	268-758	JET 85	1	\$21.99
60	268-762	JET 105	(1)d	\$24.50



RTX

Item No.	Part No	Description	Qty. Req.	Price
60	268-857	JET 120	(1)d	\$15.81
60	268-763	JET 130	(1)d	\$14.37
60	268-765	JET 140	(1)d	\$14.50
61-62	963-281	ATTACHMENT SCREW ASSEMBLY	1f	\$101.69
62	631-771	O-RING 15.6x1.78	1f	\$12.95
63	950-141	GASKET RING A 8x13	1	\$1.30
64	941-853	FUEL LINE CONNECTOR	1	\$18.24
65	851-071	SUPPORT 1/3	1a	\$68.53
65	851-073	SUPPORT 2/4	1b	\$68.53
66	240-761	SLOTTED HEAD SCREW M5x16	1	\$1.75
67	241-440	ADJUSTMENT SCREW M6x0.75	1	\$4.95
68	942-541	HEX. NUT M6x0.75 HIGHT 3 MM	3	\$0.99
69	861-640	BENT TUBE ASSEMBLY	1	\$39.95
70	963-010	SLEEVE	1	\$3.95
71	996-946	GASKET SET CARBURETOR 914	1kn	\$103.46
72	889-534	OVERHAUL-KIT CARBURETOR 914	2 ln	\$249.69

- Items not illustrated

- a For cylinder 1/3
- b For cylinder 2/4
- c Carburetor housing not available as spare part. use carburetor ASSEMBLY;
- d Refer to service instruction SI-03-1998 current issue
- e With clearance for O-Ring (use only together with O-Ring Pos. 18 (part no. 950-430);
- f For airbox part no. 867-758 / part no. 867-756
See therefore SB-912-044
- g See therefore SI-912-012 / SI-914-014
- h Package including two floats
- i Special jetting according to instructions of the manufacturer
- j Contain parts requirement for 2 carburetors
- k Maintenance set for 1 carburetor
- l with rubber gasket