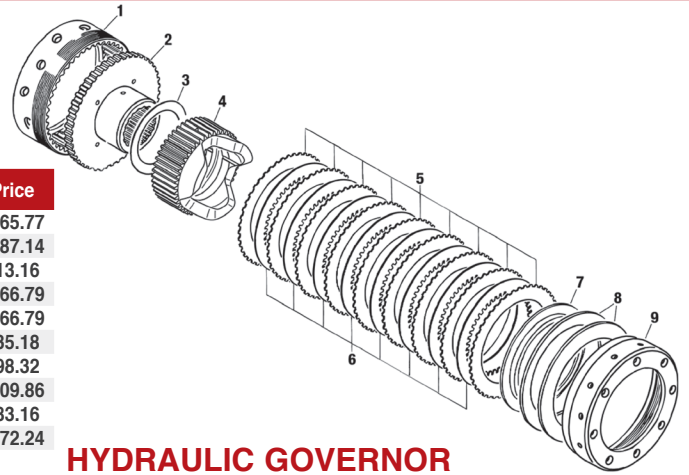


RTX

OVERLOAD CLUTCH

Item No.	Part No	Description	Qty. Req.			Price
			912 UL	912 ULS	914 UL	
1	958-912	CLUTCH DRUM	1c	1c	1c	\$565.77
2	958-905	CLUTCH HUB	1	1	1	\$387.14
3	944-080	THRUST WASHER 45.2/60/1	1	1	1	\$13.16
4	958-920	DOG HUB NARROW	1a		1a	\$366.79
4	958-924	DOG HUB WIDE, 7°	(1d)	1b	1b	\$366.79
5	958-932	STEEL FRICTION PLATE 1.0 MM	9	9	9	\$35.18
6	958-945	SINTER FRICTION PLATE 1.8 MM	8	8	8	\$98.32
7	958-951	SUPPORT RING	1	1	1	\$109.86
8	838-161	DISK SPRING 100X76X2.7	2	2	2	\$83.16
9	842-644	COLLAR NUT M10X21.5	1ce	1ce	1ce	\$272.24

- a For gear sets part no. 886125, 886517; thin dog gear (22 mm / 0.87 in.)
- b For gear set part no. 886518; wide dog gear (27 mm / 1.06 in.)
- c With additional bores to drain lead
- d Option for 912 A,F, UL fitted with 2,43 gear set
- e Improved centering of disc springs.

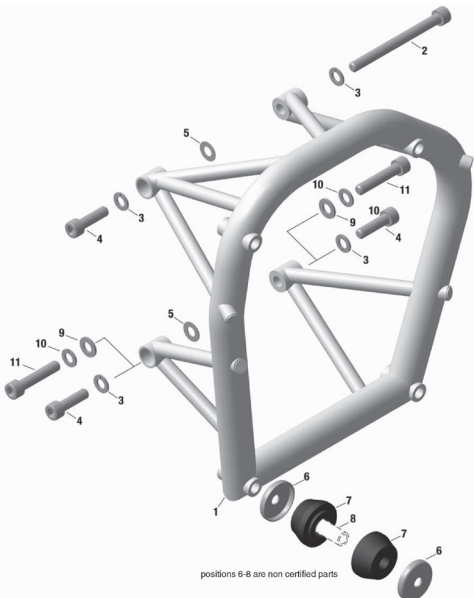
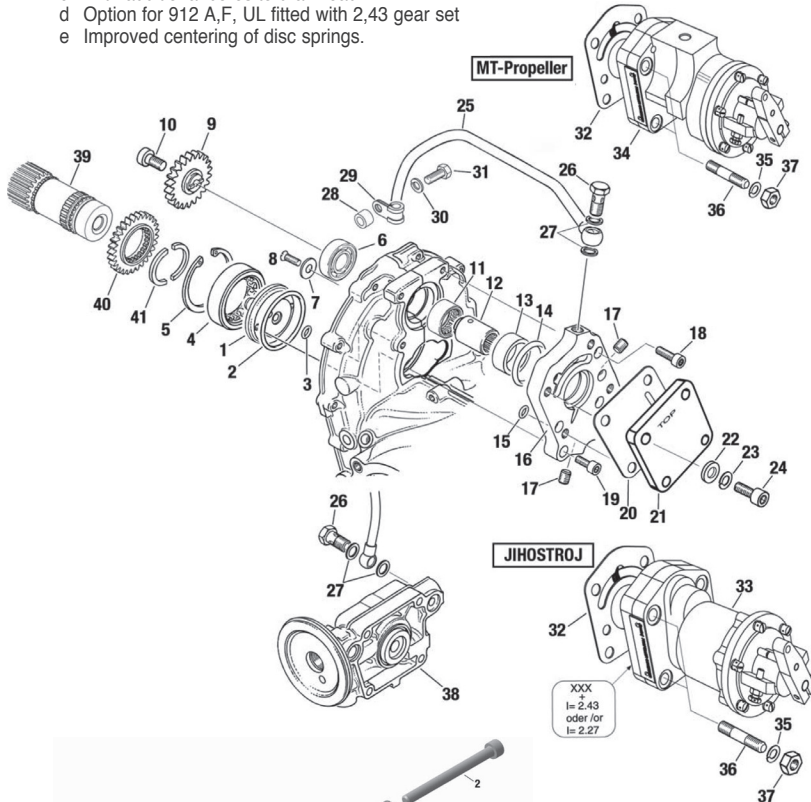


HYDRAULIC GOVERNOR ARRANGEMENT FOR CONSTANT SPEED PROPELLER (OPTIONAL)

Item No.	Part No	Description	Qty. Req.	Price
6	832-362	BALL BEARING 16002. 15-32-8	1	\$41.13
9	834-245	VACUUM PUMP GEAR 22 T	1	\$211.87
10	941-522	ALLEN SCREW M8x16	1	\$1.39
11	232-925	NEEDLE SLEEVE 22x28x12	1	\$36.82
12	847-773	DRIVE SLEEVE, LONG	1	\$359.30
13	847-802	SPACER 25/31.95/13	1	\$28.58
14	950-380	O-RING 32x4-N FPM 75	1	\$11.62
15	830-415	O-RING 7x2-N FPM 75	2	\$6.69
16	810-294	GOVERNOR FLANGE	1	\$833.41
17	941-611	PLUG SCREW M8x1	2	\$5.61
18	241-935	ALLEN SCREW M6x20	4	\$0.63
19	241-237	ALLEN SCREW M6x16	2	\$0.73
20	931-770	GASKET	1	\$12.98
21	926-231	COVER	1	\$118.28
22	250-311	WASHER 8.4	4	\$0.41
22	250-315	WASHER 8.4	4	\$0.41
23	945-832	LOCKWASHER A8	4	\$0.23
24	240-072	ALLEN SCREW M8x20	4	\$1.35
25	956-460	PRESSURE OIL LINE ASSEMBLY	1	\$262.80
26	940-874	BANJO BOLT M10x1x19	2	\$13.99
27	230-150	SEALING RING A 10x14	4	\$1.09
28	847-224	DISTANCE SLEEVE 8.4/15/6	1	\$23.34
29	853-418	CABLE CLAMP	1	\$23.43
30	945-832	LOCK WASHER A8	1	\$0.23
31	240-276	HEX. SCREW M8x25	1	\$1.26
32	931-372	GASKET	1	\$186.77
35	945-832	LOCK WASHER A8	4	\$0.23
36	840-711	STUD M8x21/20	4	\$20.14
37	942-674	HEX. NUT M8 (WS 11mm)	4	\$1.99

- Items not illustrated

- a For retrofitting from version 2 to version 3.
- b For retrofitting, same as 881702 but without propeller shaft.



ENGINE SUSPENSION FRAME

Item No.	Part No	Description	Qty. Req.			Price
			912 UL	912 ULS	914 UL	
2	941-487	ALLEN SCREW M10X110	(1)	(1)	1	\$6.61
3	945-833	LOCK WASHER A10	(4)	(4)	4	\$0.34
4	840-948	ALLEN SCREW M10X35	(3)	(3)	1	\$4.63
5	927-952	THRUST WASHER 10.1/20/0.5	(AR)	(AR)	AR	\$4.78
5	927-953	THRUST WASHER 10.1/20/1.0	(AR)	(AR)	AR	\$4.90
6-7	860-695	SHOCK MOUNT SET	(1)	(1)	(1)	\$772.00
6	944-240	CUP WASHER	(8)	(8)	(8)	\$59.75
7	860-690	SHOCK-MOUNT	(8)	(8)	(8)	\$107.61

- Items not illustrated

- a See also Service Bulletin SB-912-028 / SB-914-016 current issue