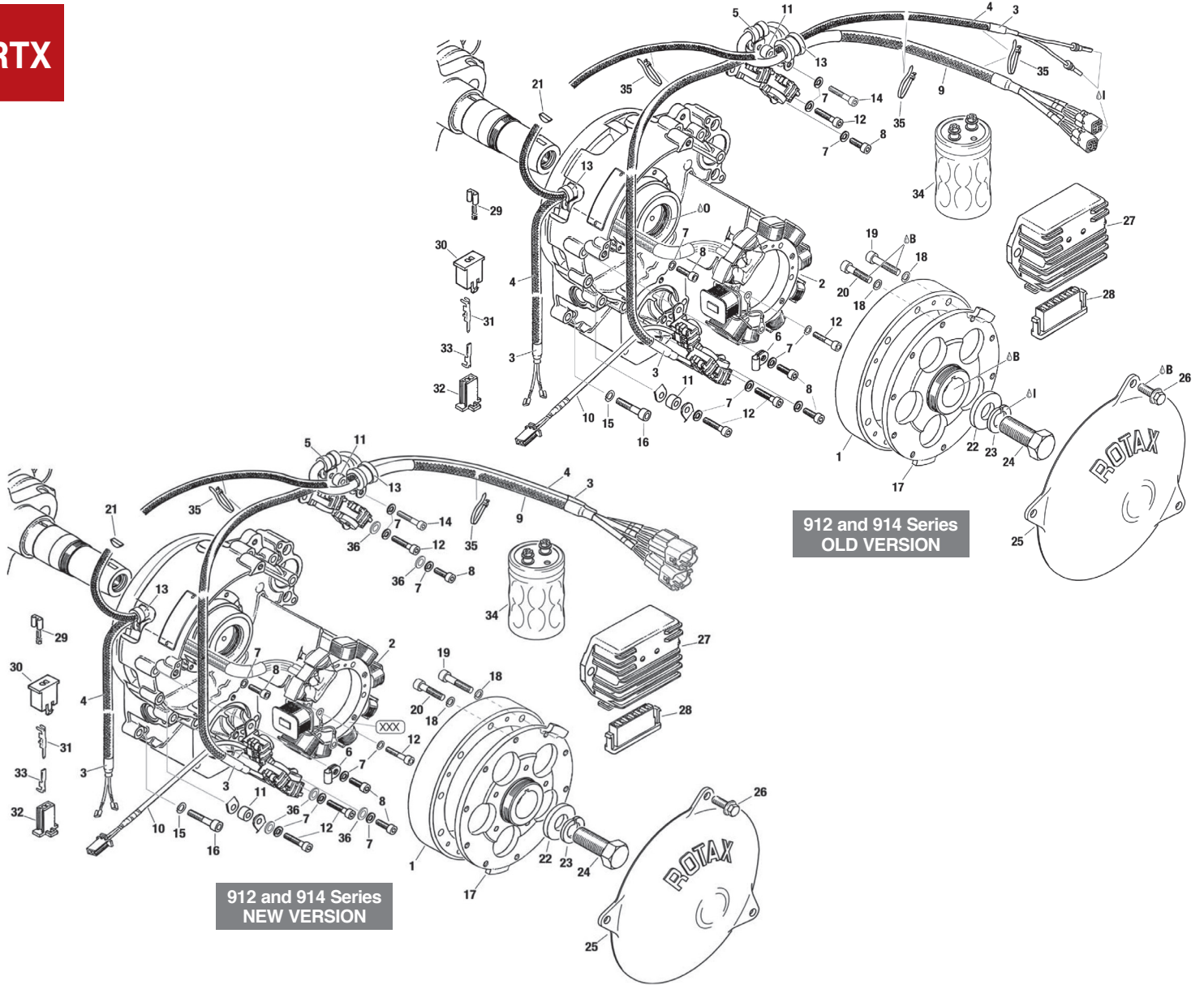


RTX



MAGNETO-GENERATOR, PICK UP, RECTIFIER REGULATOR

Item No.	Part No	Description	Qty. Req.			Price
			912 UL	912 ULS	914 UL	
2-6	891-095	STATOR ASSEMBLY	1b	1b	1b	\$1,160.36
3	860-530	SHRINK HOSE	AR	AR	AR	\$52.19
5	851-111	CABLE CLAMP 8/M5	1	1	1	\$12.46
6	851-566	CABLE CLAMP 7/M5	1	1	1	\$6.26
7	945-830	LOCK WASHER A5	12	12	12	\$0.14
8	840-514	ALLEN SCREW M5x16	4	4	4	\$0.53
9, 36	965-176	TRIGGER COIL KIT 4-POLE	1d	1d	1d	\$923.12
9, 36	965-179	TRIGGER COIL KIT 6-POLE	1c	1c	1c	\$931.97
10	264-087	TRIGGER COIL ASSEMBLY	1e	1e	1e	\$213.06
11	847-660	SPACER 5.2/12/7	4	4	4	\$10.01
13	851-250	CABLE CLAMP 15/M5	2	2	2	\$6.80
14	940-881	ALLEN SCREW M5x30	1	1	1	\$0.57
15	827-962	WASHER 6.4	7	7	7	\$0.31
15	945-831	LOCK WASHER A6	7	7	7	\$0.23
17	966-871	FLY WHEEL HUB	1	1		\$367.76
17	966-872	FLY WHEEL HUB	1a	1a		\$367.76
17	966-877	FLY WHEEL HUB			1	\$505.00
18	845-381	LOCK WASHER A6	10	10	10	\$0.57
19	840-883	ALLEN SCREW M6x30	5	5	5	\$1.45
20	840-863	ALLEN SCREW M6x25	5	5	5	\$1.43
21	246-571	WOODRUFF KEY 4x5	1	1	1	\$2.66
22	944-073	WASHER 17/36/5	1	1	1	\$39.46
24	841-602	HEX. SCREW M16x1.5x40	1	1	1	\$13.61

Item No.	Part No	Description	Qty. Req.			Price
			912 UL	912 ULS	914 UL	
25	810-980	IGNITION COVER	(1)	1	1	\$90.88
26	640-172	HEX. SCHRAUBE M6x16	(3)	3	3	\$0.72
27-28	965-349	RECTIFIER REGULATOR	1	1	1	\$147.50
28	965-335	CONNECTOR HOUSING	1	1	1	\$23.29
29	864-011	FASTON CONNECTOR 6.3x0.8	AR	AR	AR	\$1.23
30	265-252	CONNECTOR HOUSING, TWOPOLE	AR	AR	AR	\$6.51
31	265-272	FASTON CONNECTOR	AR	AR	AR	\$2.45
32	265-250	CONNECTOR HOUSING, TWOPOLE	AR	AR	AR	\$8.71
33	265-270	FASTON CONNECTOR	AR	AR	AR	\$3.85
34	966-590	CAPACITOR, 22000 MYF 25 V	1	1	1	\$145.80
35	866-710	CLAMP 142x2.5 MM	3	3	3	\$1.26
36	827-800	WASHER A 5.5	7f	7f	7f	\$5.99

- Items not illustrated

- a With modified trigger, instead of 4° before top dead center --> -3° after top dead center
- b SI-912-013 / SI-914-016 standardization of the ignition unit
- c Trigger coil kit with elongated hole for adjustment and 6-pole connector incl. 7 pcs. part no. 827800
- d 4-pole connector and trigger coil without alignment incl. 7 pcs. part no. 827800. Replaced trigger coil kit part no. 965177. See Maintenance Manual Heavy of the respective engine type, current issue.
- e Trigger coil for rev. counter to part no. 965176 and part no. 965179
- f At all trigger coils with longhole