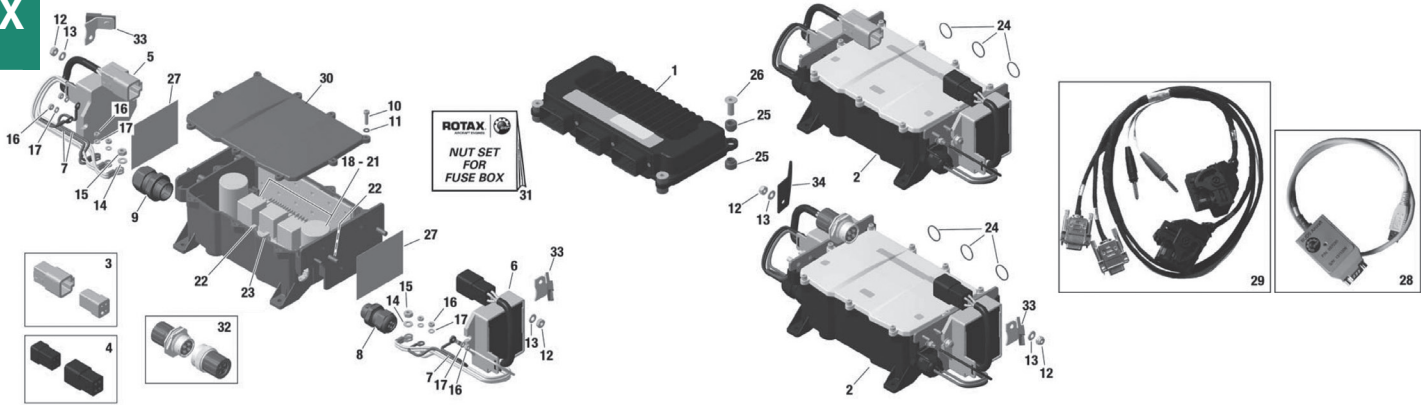
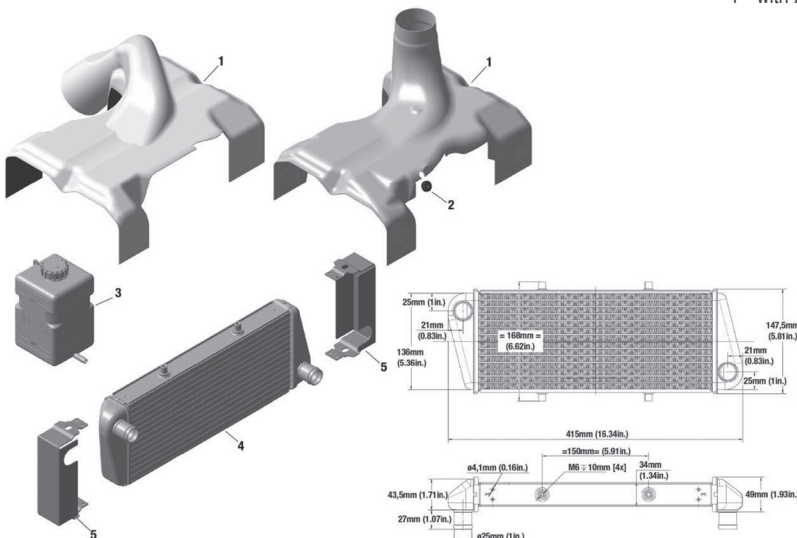


RTX



## ENGINE CONTROL UNIT, FUSE BOX REGULATOR

Item No.	Part No	Description	Qty. Req.	Sport	Price	Item No.	Part No	Description	Qty. Req.	Sport	Price
1	881-251	ENGINE CONTROL UNIT ASSEMBLY PACKAGED	1b		\$4,700.08	24	931-110	SEALING RING	3		\$13.44
1	881-252	ENGINE CONTROL UNIT ASSEMBLY PACKAGED	1c		\$7,192.00	25	201-460	RUBBER SLEEVE	8	8	CALL
2	881-321	FUSE BOX PACKAGED	1e	1e	\$2,936.13	26	947-540	SPACER	4	4	CALL
2	881-325	FUSE BOX PACKAGED (PAC part, available as accessory)	1i	1i	CALL	27	282-870	HEAT TRANSFER PAD	2	2	\$22.84
3	866-422	CONNECTOR SET GREY	1d	1d	\$105.26	28	864-021	B.U.D.S SET LEVEL 1 Aircraft Viewer for pilots/user	1	1	\$1,350.70
4	866-420	CONNECTOR SET BLACK	1d	1d	\$120.29	28	864-022	B.U.D.S SET LEVEL 2 Aircraft Service for maintenance personnel	1	1	\$1,240.00
5	864-395	REGULATOR B	1g	1g	CALL	28	864-023	B.U.D.S SET LEVEL 3 Aircraft Maintenance for distributors/OEM	1	1	\$1,350.70
6	864-392	REGULATOR A	1h	1h	\$353.00	29	864-280	SERVICE WIRING HARNESS ASSEMBLY	1	1	\$106.66
7	866-440	MASS CABLE ASSEMBLY	3	3	\$11.64	30	201-690	COVER	1	1	\$150.74
8	201-370	SKINTOP CLICK 20	1	1	\$13.51	31	881-555	NUT SET FOR FUSE BOX	1f	1f	CALL
9	201-375	SKINTOP CLICK 25	1	1	\$13.51	32	481-510	CONNECTOR SET GEN. B (PAC part, available as accessory)	1	1	CALL
10	840-763	ALLEN SCREW M4x16	9	9	\$44.30	33	951-983	CONNECTOR BRACKET	1	1	CALL
11	827-230	PLASTIC WASHER M4	9	9	\$91.12	34	951-981	CONNECTOR BRACKET	1i	1i	CALL
12	842-044	LOCK NUT M6	4	4	\$2.66	- Items not illustrated					
13	244-214	WASHER 6.4	4	4	\$1.00	a	Engine control unit with software SW 25. See SB-912 i-002iS. Only for model 912 iS.				
14	927-573	WASHER 5.3	2	2	\$0.35	b	Engine control unit with software SW 29. See SB-912 i-002iS. Only for model 912 iS.				
15	842-033	LOCK NUT M5	2	2	\$0.35	c	Engine control unit with software SW 130. Only for model 912 iS Sport.				
16	242-539	LOCK NUT M4	6	6	CALL	d	Connector set consisting of all parts for regulator and stator side				
17	244-078	WASHER 4.3	6	6	\$7.35	e	With M6 thread at regulator B				
18	866-450	MINI FUSE 2A	2	2	\$3.43	f	Consists of: 6x 242539 (lock nut M4), 6x 244078 (washer 4.3), 3x 244214 (washer 6.4), 3x 842044 (lock nut M6)				
19	866-452	MINI FUSE 5A	10	10	\$3.43	g	Connector gray				
20	866-454	MINI FUSE 7.5A	2	2	\$3.43	h	Connector black				
21	866-456	MINI FUSE 10A	5	5	\$3.43	i	with Amphenol connector				
22	866-490	ATO-FUSE 20A	1	1	\$3.43						
23	866-492	ATO-FUSE 35A	1	1	\$3.43						



## COOLING AIR BAFFLE, OVERFLOW BOTTLE WITH CAP, RADIATOR

Item No.	Part No	Description	Qty. Req.	Price
1	975-793	COOLING AIR BAFFLE TRACTOR WHITE	(1a)	CALL
1	975-794	COOLING AIR BAFFLE TRACTOR BLACK	(1)	CALL
1-2	975-792	COOLING AIR BAFFLE PUSHER WHITE	(1)	CALL
1-2	975-798	COOLING AIR BAFFLE PUSHER BLACK	(1)	CALL
2	201-160	RUBBER GROMMET	(1)	\$3.43
3	922-327	OVERFLOW BOTTLE WITH CAP	1	\$53.40
4	997-084	RADIATOR	1	\$487.00
5	881-530	RADIATOR RETROFIT KIT	1	CALL

- Items not illustrated

a not applicable with vacuum pump