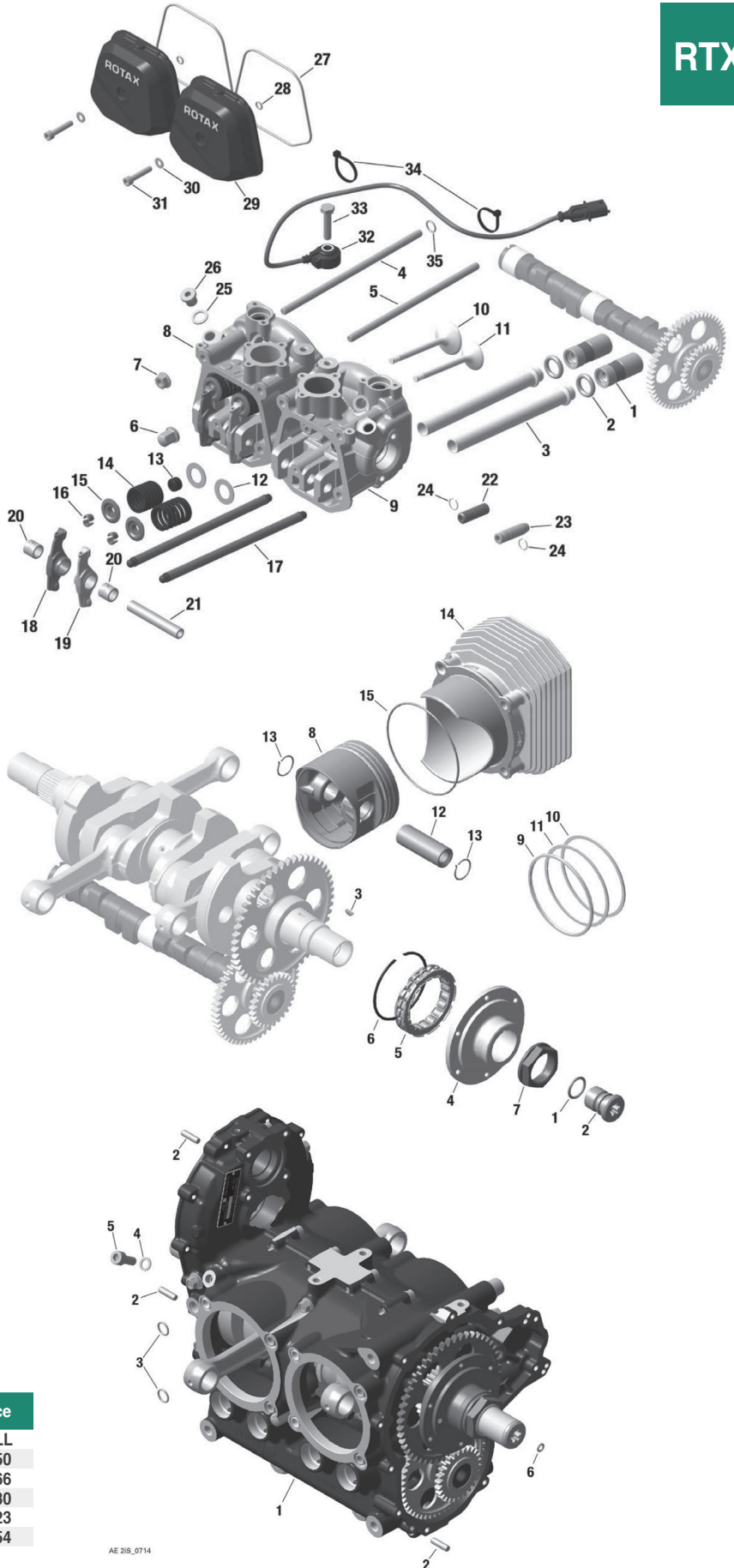


912 iSERIES ENGINE

CAMSHAFT, VALVE TRAIN, CYLINDERHEAD, VALVE COVER

RTX

Item No.	Part No	Description	Qty. Req.	Price
1	881-832	HYDRAULIC VALVE TAPPET	8	\$422.10
2	850-930	O-RING 16x5	8	\$8.79
3	924-440	OIL RETURN TUBE	8	\$39.54
4	840-171	STUD M8x200	8	\$9.73
5	840-141	STUD M8x186	8	\$9.73
6	842-471	COLLAR CAP NUT M8	8c	\$21.34
6	842-476	COLLAR CAP NUT M8	8a	\$21.34
7	942-302	COLLAR NUT M8	8a	\$3.70
7	842-610	HEX. NUT M8	8c	\$4.37
8	623-775	CYLINDERHEAD 2/3 ASSEMBLY	2	\$1,557.32
9	623-785	CYLINDERHEAD 1/4 ASSEMBLY	2	\$1,598.23
10	854-101	INTAKE VALVE 38 MM	4	\$187.82
11	854-111	EXHAUST VALVE 32 MM	4	\$304.00
12	926-210	SHIM 16/27.9/1	8	\$3.73
13	230-810	VALVE STEM SEAL	4	\$10.04
14	838-156	VALVE SPRING	8	\$28.42
15	854-186	VALVE SPRING RETAINER	8	\$24.57
16	253-092	VALVE COTTER	16	\$3.74
17	854-861	VALVE PUSH-ROD ASSEMBLY	8	\$171.80
18	854-383	ROCKER ARM LEFT	4	\$301.40
19	854-393	ROCKER ARM RIGHT	4	\$301.40
20	933-396	BUSHING	8	\$52.06
21	854-193	ROCKER ARM SHAFT	4	\$40.77
22	854-225	VALVE GUIDE	4	CALL
23	253-114	INLET VALVE GUIDE	4	\$27.25
24	245-440	RETAINING RING A12	8	\$0.57
25	250-015	SEALING RING A12x18	3	\$0.35
26	841-923	PLUG SCREW M12x1.5	3	\$7.81
27	250-285	O-RING 105x2.5	4	\$29.31
28	430-205	O-RING 6.4x1.8	4	\$4.99
29	612-260	VALVE COVER	4	\$196.63
30	927-941	WASHER 6.0/12/1	4	\$0.69
31	840-887	ALLEN SCREW M6x30	4	\$0.69
32	866-270	KNOCK SENSOR	1	\$259.90
33	940-481	HEX. SCREW M8x30	1	\$1.40
34	866-714	TIE WRAP 142x3.2 MM	2	\$0.35
35	431-570	O-RING 10.82x1.78	8b	\$0.66



- Items not illustrated / AR: as required

- a Width A/F 11
- b From engine S/N up to engine S/N 9 12 iS: 4417001 up to 4417400
- c Width A/F 13

CRANKSHAFT, PISTON, CYLINDER, SPRAG CLUTCH

Item No.	Part No	Description	Qty. Req.	Price
1	250-055	O-RING 18x2.5-N FPM 75	1	\$1.78
2	940-520	PLUG SCREW M22x1.5	1	\$27.18
3	246-055	WOODRUFF KEY 3x3.7	1	\$3.73
4	852-407	SPRAG CLUTCH HOUSING	1	\$130.88
5	958-856	SPRAG CLUTCH 51.710x68.377x13	1	\$312.00
6	845-425	CIRCLIP 70	1	\$7.60
7	942-250	HEX. NUT M32x1.5-LH	1	\$24.29
8-10	888-382	PISTON ASSEMBLY 84/84.01 MM	4a	\$356.78
9	815-230	OIL SCRAPER RING	4	\$67.49
10	815-280	TAPERED COMPRESSION RING 84	4	\$47.51
11	815-251	RECTANGULAR RING 84/77x1.5	4	\$82.75
12	916-356	PISTON PIN 20x12x55.3	4	\$81.25
13	845-106	MONOHOOK CIRCLIP 20	8	\$2.63
14	913-226	CYLINDER	4b	\$690.11
15	250-510	O-RING 87x2	4	\$26.49

- a red 84 mm, green 84.01 mm
- b A: 84.000 - 84.012 mm
B: 84.012 - 84.024 mm

CRANKCASE

Item No.	Part No	Description	Qty. Req.	Price
1	300091210	ENGINE BLOCK	1	CALL
2	429-230	DOWEL 6x20	2	\$2.50
3	431-570	O-RING DIN 3771-10,82x1,78-N, FPM 70	8	\$0.66
4	950-141	SEALING RING A 8x13	1	\$1.30
5	240-071	ALLEN SCREW M8x20	1	\$1.23
6	831-929	O-RING 5x2	1	\$4.54

- Items not illustrated