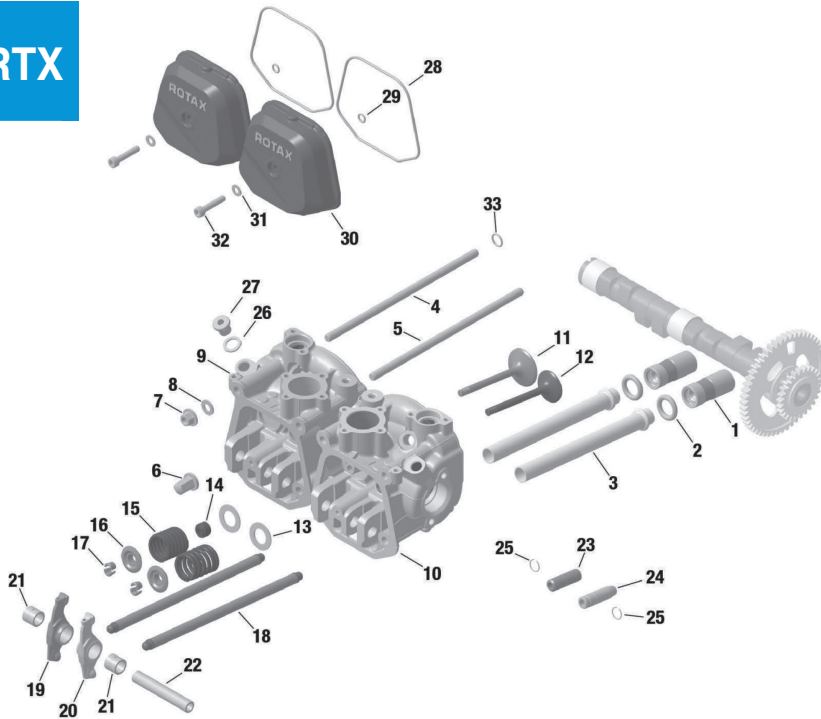




RTX



CAMSHAFT, VALVE TRAIN, CYLINDER HEAD, VALVE COVER

Item No.	Part No	Description	Qty. Req.	Price
1	881-832	HYDRAULIC VALVE TAPPET SET	8	\$422.10
2	850-930	O-RING 16x5	8	\$8.79
3	924-440	OIL RETURN TUBE	8	\$39.54
4	840-171	STUD M8x200	8	\$9.73
5	840-141	STUD M8x186	8	\$9.73
6	842-476	COLLAR CAP NUT M8	8	\$21.34
7	942-302	COLLAR NUT M8	8	\$3.70
8	250-311	WASHER 8.4	8	\$0.41
9	623-777	CYLINDER HEAD 2/3 ASSEMBLY	2	CALL
10	623-787	CYLINDER HEAD 1/4 ASSEMBLY	2	CALL
11	854-101	INTAKE VALVE 38 MM	4	\$187.82
12	854-113	EXHAUST VALVE 32 MM	4	CALL
13	926-210	SHIM 16/27.4/1	8	\$3.73
14	230-810	VALVE STEM SEAL	4	\$10.04
15	838-156	VALVE SPRING	8	\$28.42
16	854-186	VALVE SPRING RETAINER	8	\$24.57
17	253-092	VALVE COTTER	16	\$3.74
18	854-861	VALVE PUSH-ROD ASSEMBLY	8	\$171.80
19	854-383	ROCKER ARM LEFT	4	\$301.40
20	854-393	ROCKER ARM RIGHT	4	\$301.40
21	933-396	BUSHING	8	\$52.06
22	854-193	ROCKER ARM SHAFT	4	\$40.77
23	854-225	VALVE GUIDE	4	CALL
24	253-114	INLET VALVE GUIDE	4	\$27.25
25	245-440	RETAINING RING A12	8	\$0.57
26	250-015	SEALING RING A12x18	3	\$0.35
27	841-923	PLUG SCREW M12x1.5	3	\$7.81
28	250-285	O-RING 105x2.5	4	\$29.31
29	430-205	O-RING 6.4x1.8	4	\$4.99
30	612-265	VALVE COVER SKY BLUE	4	CALL
31	927-941	WASHER 6.0/12/1	4	\$0.69
32	840-887	ALLEN SCREW ISO 4762 M6x30 10.9	4	\$0.69
33	431-570	O-RING 10.82x1.78-N, FPM 70	8	\$0.66

INTAKE MANIFOLD, AIRBOX, THROTTLE BODY SOCKET

Item No.	Part No	Description	Qty. Req.	Price
1	667-401	INTAKE MANIFOLD 1/3	1	CALL
2	667-406	INTAKE MANIFOLD 2/4	1	CALL
3	850-091	ISOLATING FLANGE	2	\$6.53
4	440-207	HEX./TORX-FLANGE SCREW M6x20-SW8/T30	8	\$0.90
5	460-421	CONNECTING SOCKET	2	CALL
6	953-093	1-EAR-CLAMP 66.3-69.5 MM	4	CALL
7	667-411	AIRBOX	1	CALL
8	440-164	HEX./TORX-FLANGE SCREW M6x16-SW8/T30	5	CALL
9	840-672	HOSE NIPPLE M6	1	CALL
10	860-700	RUBBER 20x10xM6	1	\$23.11
11	827-968	WASHER 6.4	1	\$0.35
12	842-042	LOCK NUT M6	1	\$2.66
13	850-020	RUBBER RING	1	\$3.43
14	685-055	THROTTLE BODY SOCKET ASSEMBLY	1	\$399.00
15	953-020	SEPARATING PLATE	3	\$1.78
16	651-780	CONNECTOR BRACKET	1	CALL
17	250-015	SEALING RING A12x18	2	\$0.35
18	222-421	TEMPERATURE SENSOR	2	\$33.15
19	664-364	PRESSURE SENSOR 2.0	2	\$309.41
20	638-140	CLIP	2	CALL
21	951-563	CONNECTOR BRACKET	1	CALL
22	874-654	PRESSURE-/TEMP. SENSOR	2a	\$286.10
23	850-610	CONNECTOR GASKET	2	CALL
24	481-485	GOVERNOR CABLE KIT - NON-CERTIFIED		CALL

a Ambient pressure and temperature

