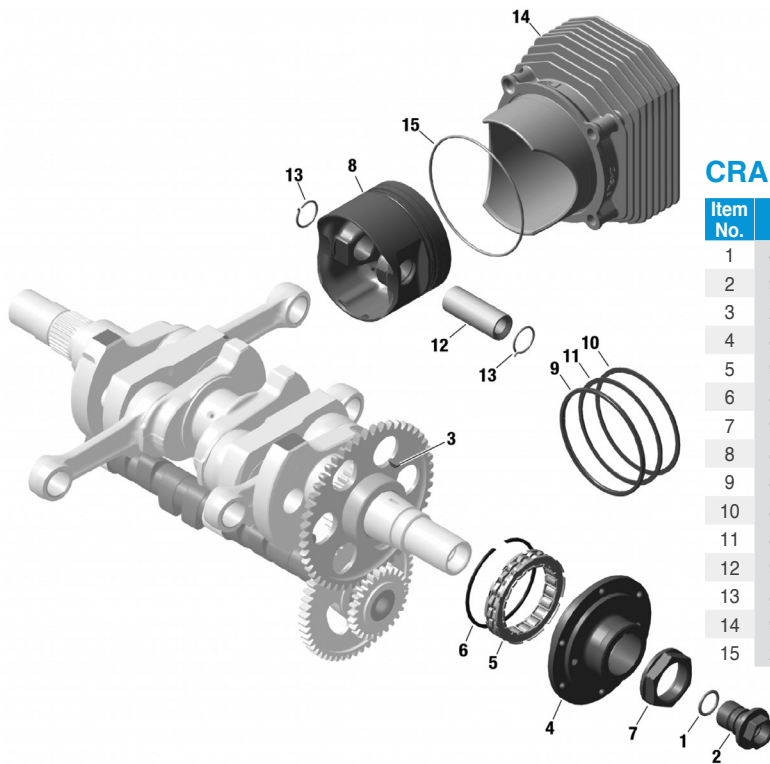


## CRANKCASE

Item No.	Part No	Description	Qty. Req.	Price
1	300091501	ENGINE BLOCK	1a	CALL
2	429-230	DOWEL 6x20	2	\$2.50
3	431-570	O-RING 10.82Xx1.78-N, FPM 70	8	\$0.66
4	950-141	SEALING RING A 8x13	1	\$1.30
5	240-071	ALLEN SCREW M8x20	1	\$1.23
6	831-929	O-RING 5x2	1	\$4.54
10	866-270	KNOCK SENSOR	1	\$259.90
11	570-661	BINDING HEAD SCREW M8x30	1	CALL

a with crankshaft, freewheel

## CRANKSHAFT, PISTON, CYLINDER, SPRAG CLUTCH



Item No.	Part No	Description	Qty. Req.	Price
1	430-225	O-RING 9X2,3-N, FPM 75	1	\$8.71
2	940-526	PLUG SCREW M20X1.5	1	CALL
3	246-055	WOODRUFF KEY 3x3.7	1	\$3.73
4	852-407	SPRAG CLUTCH HOUSING	1	\$130.88
5	958-856	SPRAG CLUTCH 51.710x68, 377x13	1	\$312.00
6	845-425	CIRCLIP 70	1	\$7.60
7	942-250	HEX. NUT M32x1.5 - LH	1	\$24.29
8	893-296	PISTON ASSEMBLY 84/84.01 MM	4	CALL
9	815-230	OIL SCRAPER RING 84/76.5x3	4	\$67.49
10	815-251	RECTANGULAR RING 84/77x1.5	4	\$82.75
11	815-280	TAPERED COMPRESSION RING 84	4	\$47.51
12	916-380	PISTON PIN 20x12x51.3	4	CALL
13	845-106	MONOHOOK CIRCLIP 20	8	\$2.63
14	913-228	CYLINDER	4	CALL
15	250-510	O-RING 87x2-N, FPM 75	4	\$26.49