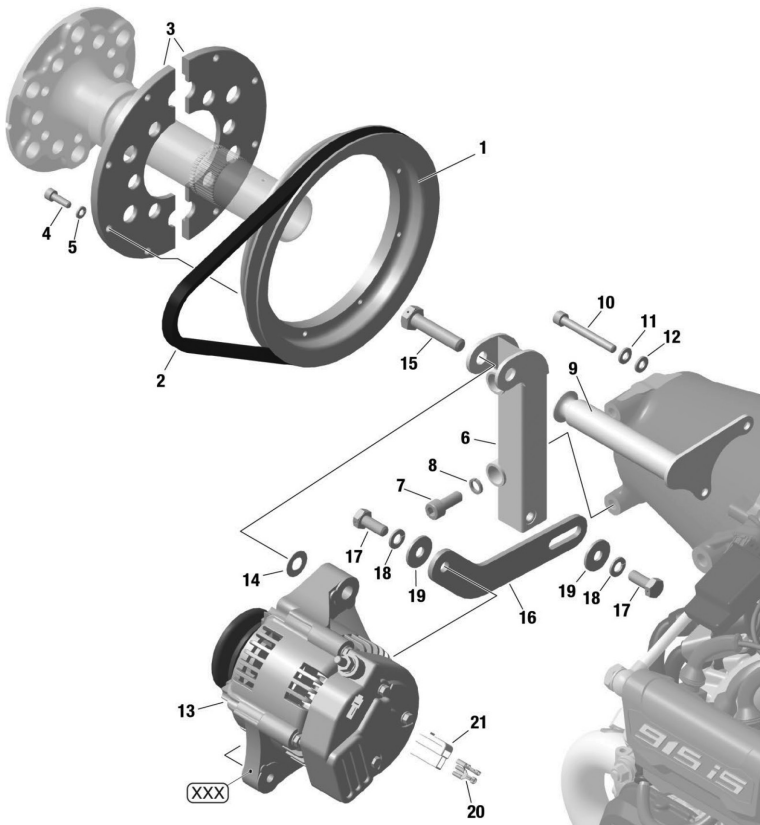
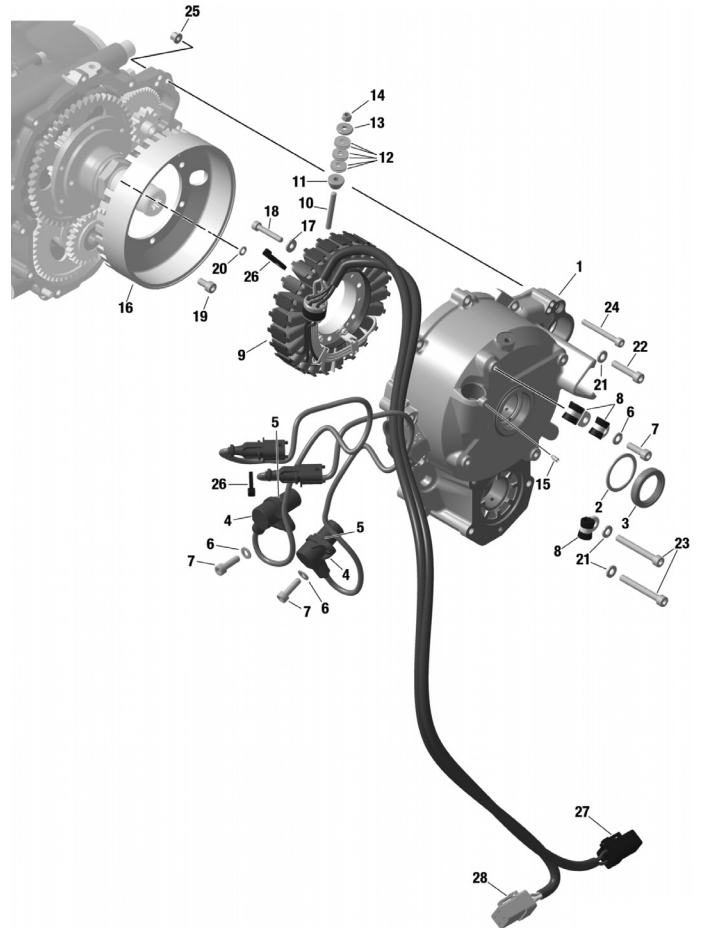


RTX

IGNITION HOUSING, STATOR, CRANKSHAFT POSITION SENSOR

Item No.	Part No	Description	Qty. Req.	Price
1	912-247	IGNITION HOUSING ASSEMBLY	1	CALL
2	827-220	WASHER 32/38/1.5	1	\$17.56
3	230-428	OIL SEAL GPRE 28x38x7 FKM	1	CALL
4-5	966-572	CRANKSHAFT POSITION SENSOR	2	\$182.35
5	431-580	O-RING 17.17x1.78 FPM 70	2	\$7.30
6	945-751	LOCK WASHER A6	3	\$0.21
7	241-930	ALLEN SCREW M6x20	2	\$0.57
8	853-412	CABLE CLAMP	3	\$5.69
9	685-063	STATOR ASSEMBLY	1	CALL
10	840-792	STUD M5x44	1	CALL
11	947-510	DISTANCE SLEEVE	1	\$34.01
12	938-080	DISK SPRING 15x5.2x0.7	6	\$1.78
13	827-240	WASHER 5.1/15.5/2.5	1	\$26.43
14	842-033	LOCK NUT M5	1	\$0.35
15	840-820	ADJUSTMENT SCREW M4x8	1	CALL
16	685-072	MAGNETO FLYWHEEL ASSEMBLY	1	CALL
17	827-800	WASHER A 5.5	6	\$5.99
18	940-881	ALLEN SCREW M5x30	6	\$0.57
19	840-036	ALLEN SCREW M6x12	6	\$1.78
21	827-961	WASHER 6.4	7	\$0.31
22	840-880	ALLEN SCREW M6x30	5	\$0.57
23	241-761	ALLEN SCREW M6x50	2	\$0.85
24	941-791	ALLEN SCREW M5x45	2	\$1.08
25	942-311	HEX. NUT M5	2	\$20.67
26	866-714	TIE WRAP 142x3.2 mm	2	\$0.35



EXTERNAL GENERATOR F3A (ALL PARTS OPTIONAL) (NON CERTIFIED)

Item No.	Part No	Description	Qty. Req.	Price
1	980-590	V-BELT PULLEY	(1)	\$395.80
2	980-400	V-BELT 9.5X675	(1)	\$31.26
3	980-605	PULLEY CARRIER	(2)	\$127.31
4	840-514	ALLEN SCREW M5X16	(8)	\$0.53
5	945-830	LOCK WASHER A5	(8)	\$0.21
6	953-223	ALTERNATOR BRACKET ASSEMBLY	(1)	CALL
7	240-072	ALLEN SCREW M8X20	(2)	\$1.35
8	845-310	LOCK WASHER VHZ 8	(2)	\$0.41
9	953-235	ALTERNATOR SUPPORT ASSEMBLY	(1)	CALL
10	241-762	ALLEN SCREW M6X50	(2)	\$0.94
11	945-831	LOCK WASHER A6	(2)	\$0.23
12	827-962	WASHER 6.4	(2)	\$0.31
13	887-251	ALTERNATOR F3A	(1)	\$1,394.06
14	927-952	THRUST WASHER 10.1/20/0.5	(1)	\$4.78
15	941-636	HEX. SCREW M10X45	(1)	\$13.77
16	953-241	TENSION BAR	(1)	\$83.34
17	940-596	HEX. SCREW M8X2	(2)	\$11.47
18	945-832	LOCK WASHER A8	(2)	\$0.23
19	227-935	WASHER 8.4	(2)	\$1.76
20	864-011	FASTON CONNECTOR 6.3X0.8	(2)	\$1.23
21	265-255	CONNECTOR HOUSING 2-POLE	(1)	\$7.84