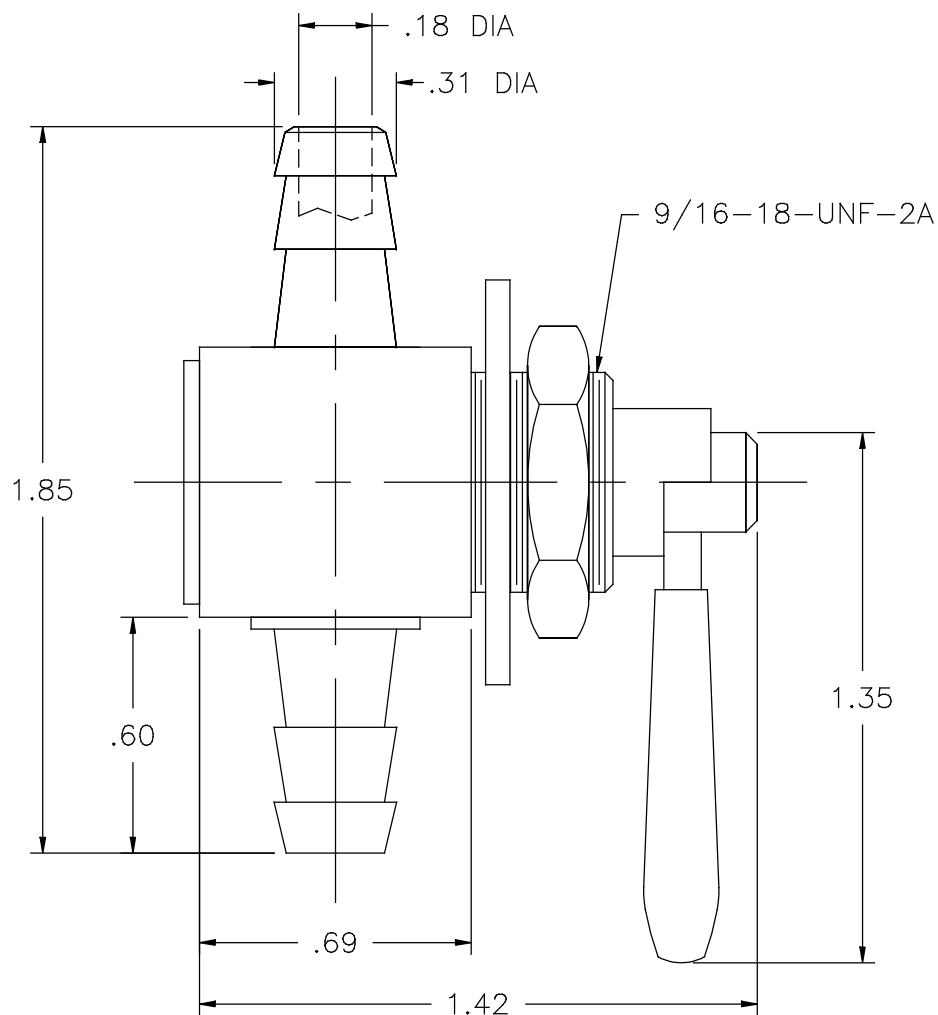


11834



BODY - CAD. PLATED STEEL
NEEDLE - NICKEL PLATED BRASS

②

NOTE: 100% LEAK TEST AT 5 PSI

NO	DATE	REVISIONS	INT	DAPCO Industries Dexter, Michigan		
1	10/22/96	REDRAW FOR CAD	SA			
2	12-21-00	ADDED LEAK TEST				
3				SCALE 2:1	DEC. ±.XX .030	DEC. ±.XXX .010
4				APP. BY	MATERIAL	
5				DATE 3-15-90	DRAWING NO.	
6				DRAWN BY D.K.	11834	