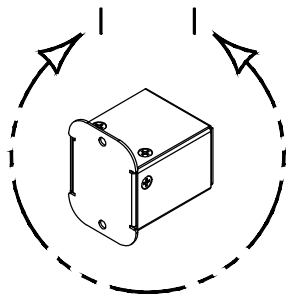
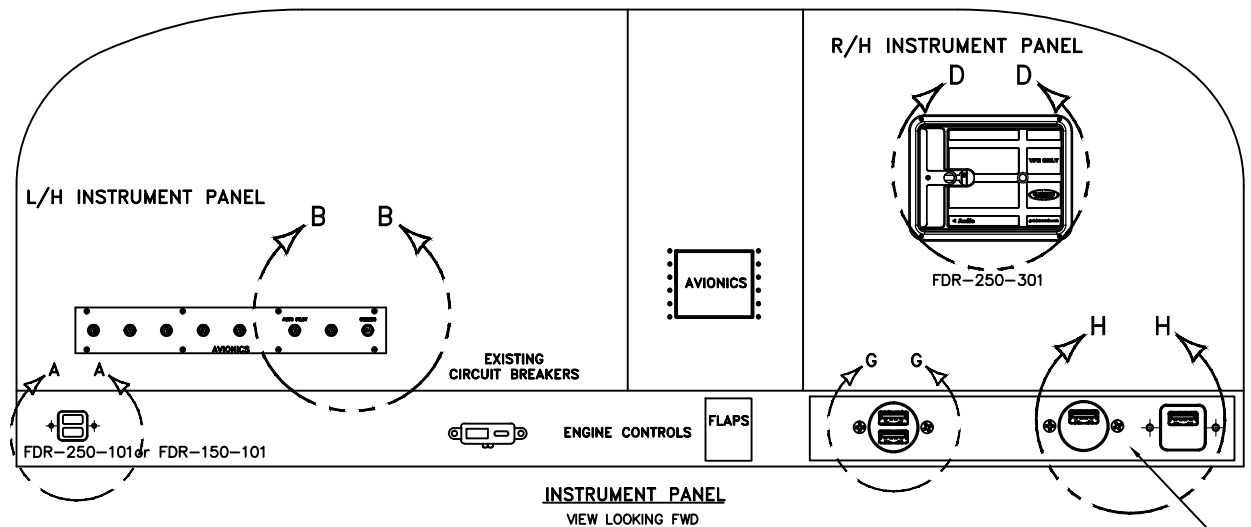


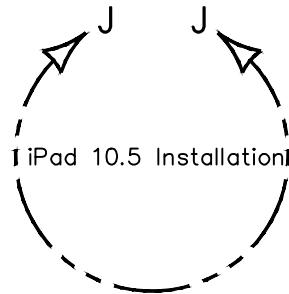
NOTES:

- △ EXISTING EQUIPMENT.
- 2. PERMISSIBLE TO TRIM PARTS CREATED BY THIS DRAWING ON INSTALLATION AS REQUIRED.
- 3. TOUCH UP ALL BARE ALUMINUM SURFACES WITH ALODINE PER MIL-C-5541 CLASS 3.
- 4. PARENTHETICAL ENTITIES, (), ARE FOR REFERENCE ONLY.
- △ LOCATE CIRCUIT BREAKER IN THE SAME GENERAL AREA WITH EXISTING CIRCUIT BREAKERS. LABEL AS SHOWN USING STANDARD ENGRAVING, SILKSCREEN, OR OTHER TECHNIQUES. LETTERING TO BE SAME HEIGHT AS EXISTING C/B LETTERING.
- 6. ALL GROUNDS GO TO NEAREST GROUND POINT ON AIRCRAFT.
- 7. TIE INTO EXISTING BUS BAR NEAR LOCATION OF NEW CIRCUIT BREAKER. IF A JUMPER WIRE IS REQUIRED, USE 20 GAUGE MIL-W-22759/XX TYPE.
- △ BEST COMMERCIAL EQUIVALENT MAY BE SUBSTITUTED FOR THIS PART.
- 9. THE INSTALLATION OF WIRING TO BE PERFORMED IN ACCORDANCE WITH AC 43.13-1B, 2A, ACCEPTABLE METHODS, TECHNIQUES, AND PRACTICES - AIRCRAFT ALTERATIONS, CHAPTER 11. ALL WIRE TO BE MIL-W-22759/16 OR EQUIVALENT.

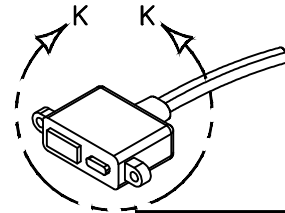
REVISIONS			
REV	DESCRIPTION	DATE	APVD
A	Initial release	06/2/2016	
B	circuit breakers changed to 2Amp	08/18/2016	
C	add round replacement page 3,5	12/17/2016	
D	add page 6 and updated H-H	03/25/2017	
E	add cooling fan options to page 4 and 7	01/06/2018	
F	added sheet 7 with pin 1 location	01/05/2019	
G	combine two master. add KK info, pages	03/24/2019	



Remote USB Power Supply



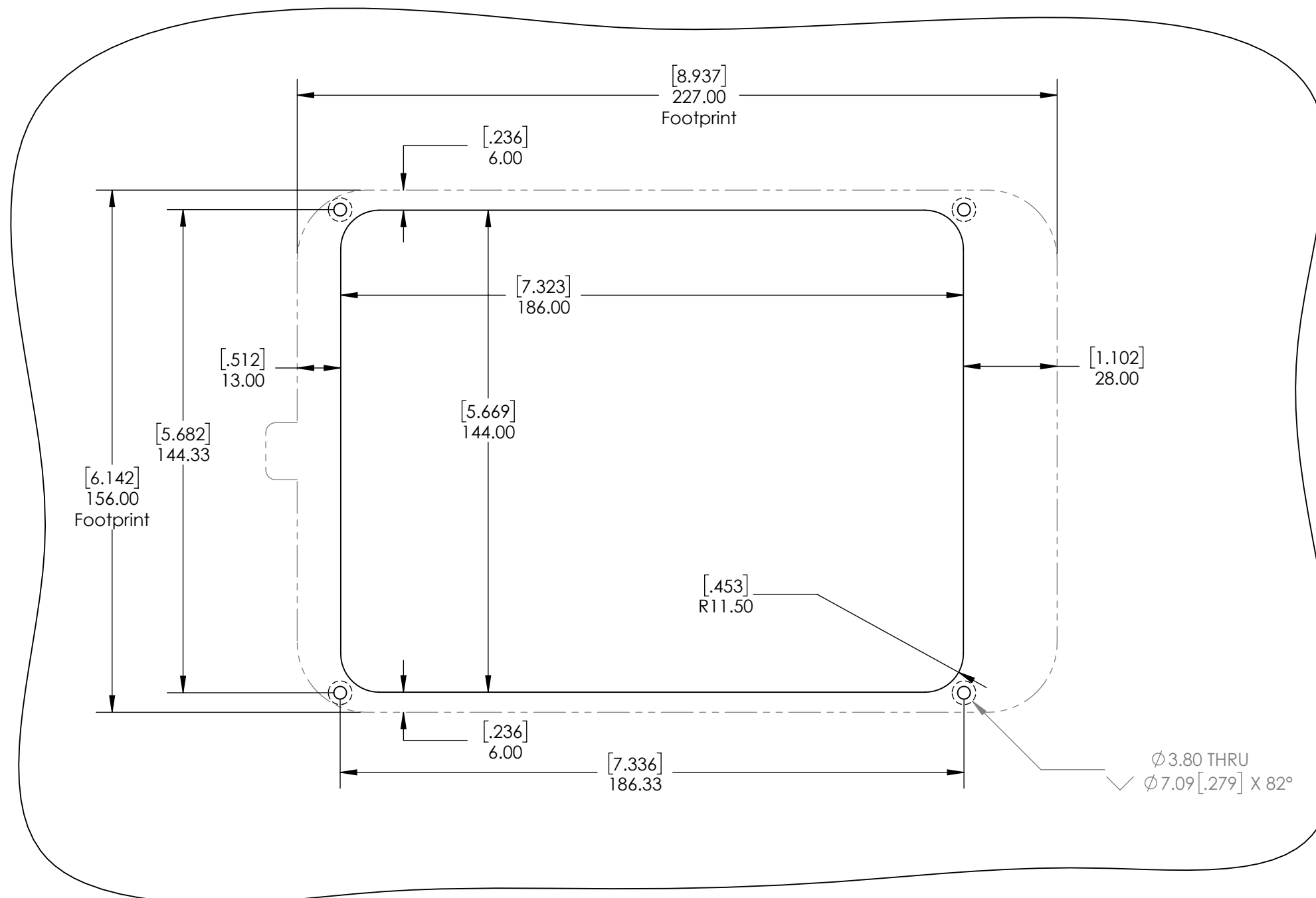
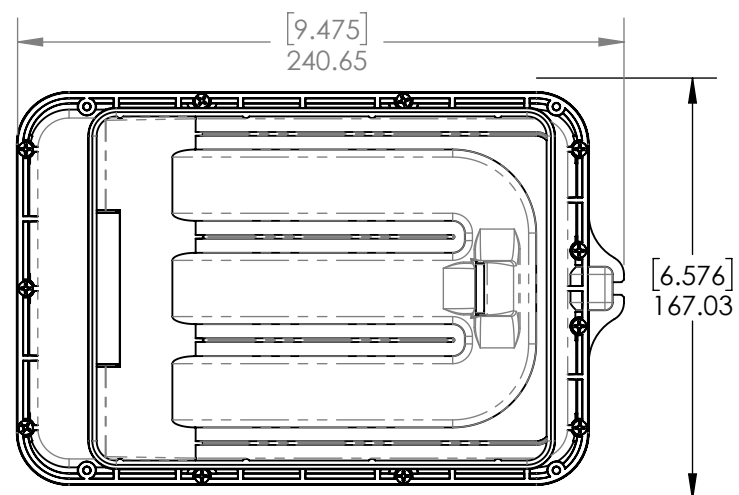
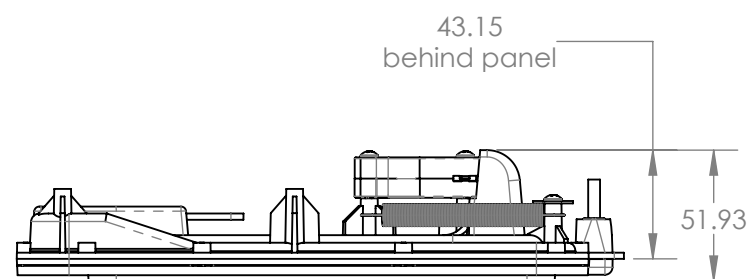
iPad 10.5 Installation



FILENAME: USBInst.dwg

① 1		USB-200-101	USB Port	GUARDIAN AVIONICS																																				
ITEM	QTY	PART NUMBER	DESCRIPTION	VENDOR																																				
PROPRIETARY NOTICE		<table border="1"> <thead> <tr> <th colspan="2">APPROVALS</th> <th>DATE</th> <th>UNLESS OTHERWISE NOTED ALL DIM ARE IN INCHES</th> </tr> </thead> <tbody> <tr> <td>DESIGN</td> <td></td> <td></td> <td>TOLERANCES</td> </tr> <tr> <td>DRAWN</td> <td>Ahmed Hassan</td> <td>03/24/2019</td> <td>XXX ±.010 ANGLES</td> </tr> <tr> <td>CHECK</td> <td></td> <td></td> <td>XX ±.03 ±1/2°</td> </tr> <tr> <td>INSP.</td> <td></td> <td></td> <td>X ±.1</td> </tr> <tr> <td>PROL.</td> <td></td> <td></td> <td>FINISH NONE</td> </tr> <tr> <td>DASH</td> <td></td> <td></td> <td>SCALE NONE</td> </tr> <tr> <td>NEXT ASSY</td> <td></td> <td></td> <td></td> </tr> <tr> <td>REL.</td> <td>ASH VIJ</td> <td>03/24/2019</td> <td></td> </tr> </tbody> </table>			APPROVALS		DATE	UNLESS OTHERWISE NOTED ALL DIM ARE IN INCHES	DESIGN			TOLERANCES	DRAWN	Ahmed Hassan	03/24/2019	XXX ±.010 ANGLES	CHECK			XX ±.03 ±1/2°	INSP.			X ±.1	PROL.			FINISH NONE	DASH			SCALE NONE	NEXT ASSY				REL.	ASH VIJ	03/24/2019	
APPROVALS		DATE	UNLESS OTHERWISE NOTED ALL DIM ARE IN INCHES																																					
DESIGN			TOLERANCES																																					
DRAWN	Ahmed Hassan	03/24/2019	XXX ±.010 ANGLES																																					
CHECK			XX ±.03 ±1/2°																																					
INSP.			X ±.1																																					
PROL.			FINISH NONE																																					
DASH			SCALE NONE																																					
NEXT ASSY																																								
REL.	ASH VIJ	03/24/2019																																						
<small>This drawing contains specifications and/or data, technical material, proprietary designs and information that are the sole property of C. O. Guardian, LLC, and treated by its recipient as a confidential trade, and is not to be shown or disclosed to any unauthorized organization or person.</small>		<table border="1"> <tr> <td colspan="2" style="text-align: center;">GUARDIAN AVIONICS <small>Your partner in the sky</small></td> </tr> <tr> <td colspan="2" style="text-align: center;">TITLE USB INSTALLATION</td> </tr> <tr> <td>DRAWING NO.</td> <td>SH 1 REV</td> </tr> <tr> <td>USB-250</td> <td>OF 11 G</td> </tr> </table>			GUARDIAN AVIONICS <small>Your partner in the sky</small>		TITLE USB INSTALLATION		DRAWING NO.	SH 1 REV	USB-250	OF 11 G																												
GUARDIAN AVIONICS <small>Your partner in the sky</small>																																								
TITLE USB INSTALLATION																																								
DRAWING NO.	SH 1 REV																																							
USB-250	OF 11 G																																							

iPad Mini (USB-C)



A-A



© COPYRIGHT GUARDIAN AVIONICS
THE INFORMATION IN THIS DRAWING IS CONFIDENTIAL
AND IS THE INTELLECTUAL PROPERTY OF GUARDIAN
AVIONICS. REPRODUCTION IN WHOLE OR IN PART
WITHOUT WRITTEN PERMISSION OF GUARDIAN
AVIONICS IS PROHIBITED.

DO NOT SCALE DRAWING
TOLERANCES UNLESS
OTHERWISE SPECIFIED:

METRIC	IMPERIAL	ANGLES
X ± 1.00mm	.X ± .05"	± 1°
.X ± .3mm	.XX ± .01"	
.XX ± .1mm	.XXX ± .005"	

PROJECT:
iPad Mini Gen-6

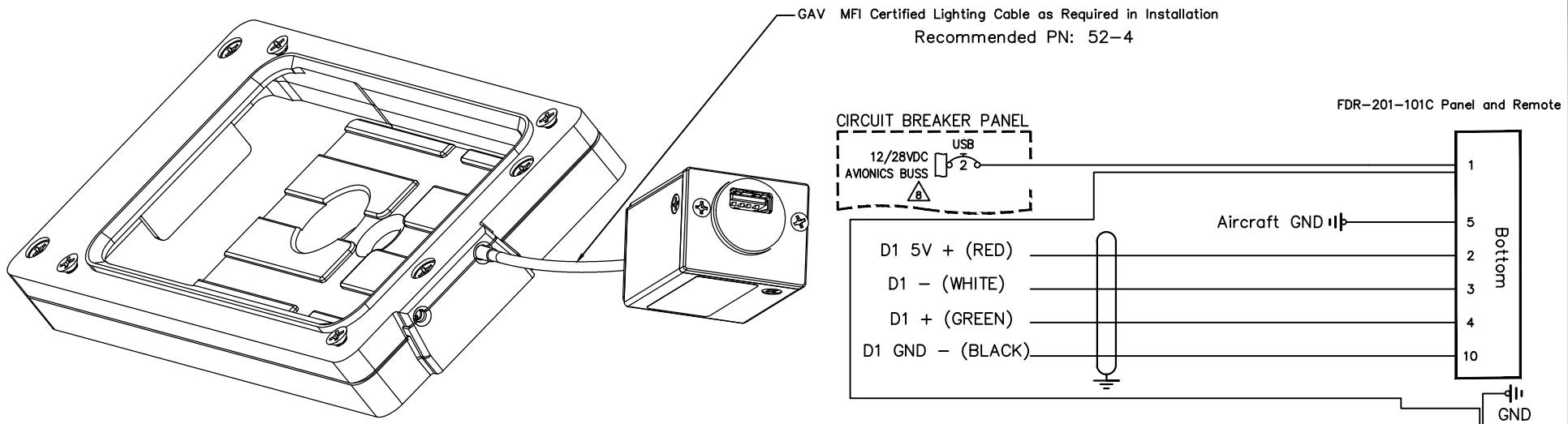
SCALE: 1:1
DWG # Use Name

DRAWING NAME:
2023-7-6 DashPanel

REVISION
A

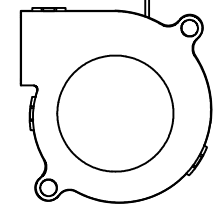
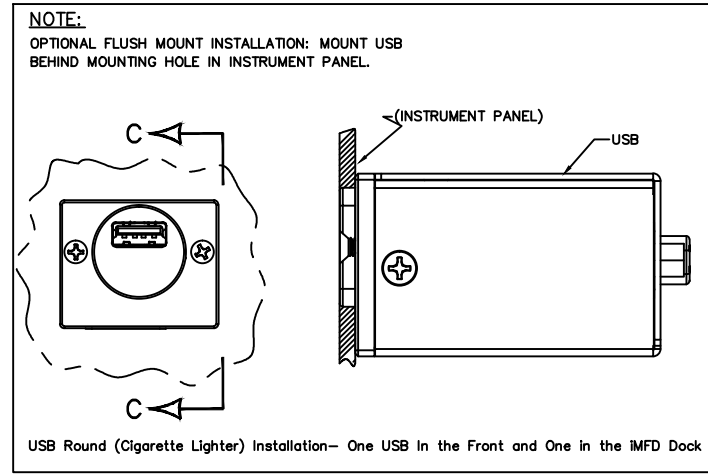
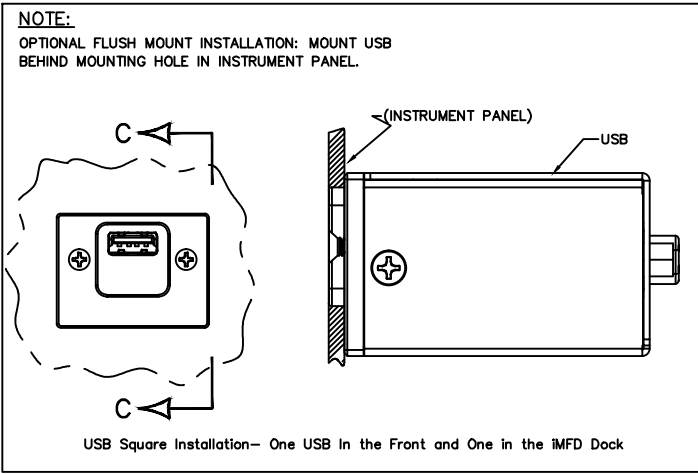
PRINT DATE
7/7/2023

SHEET:
2 of 3



SECTION D-D

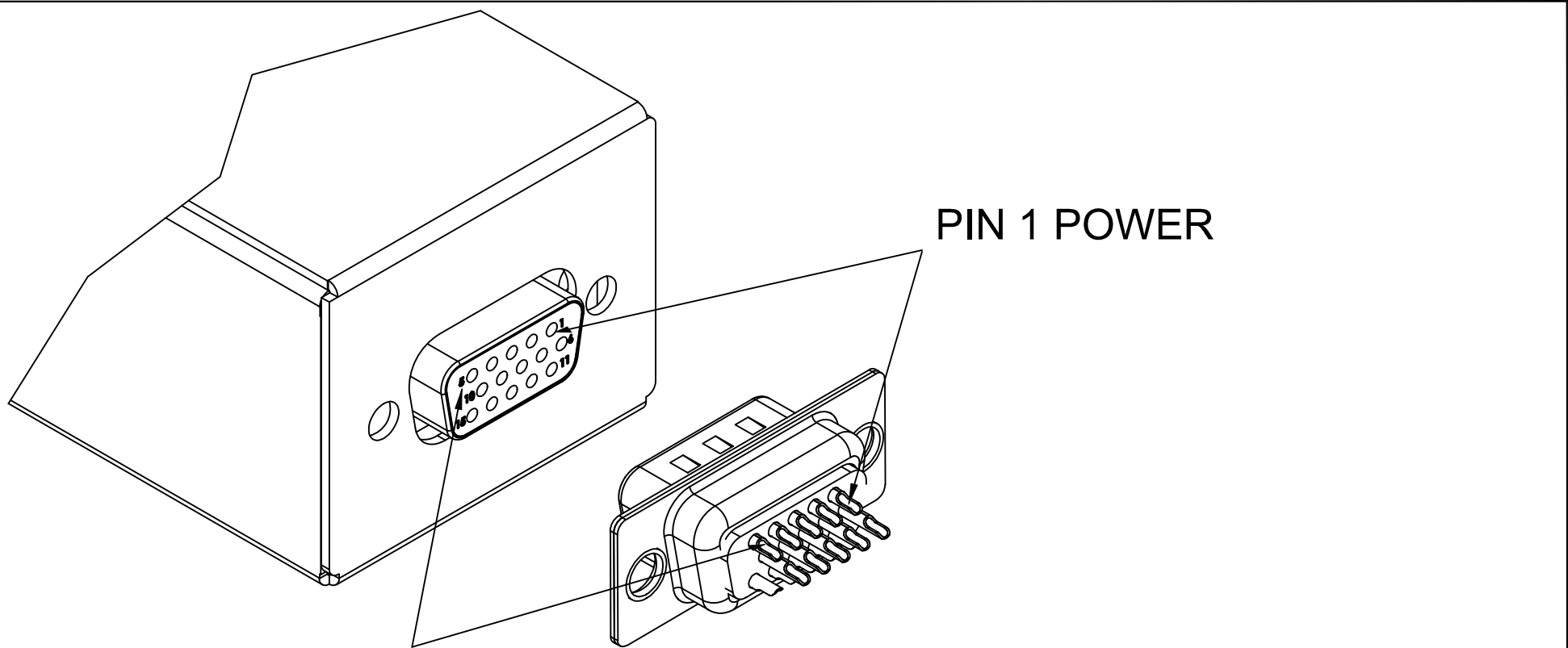
GAV MFI Lighting Cable Connections (D1)



TYPICAL OPTIONAL COOLING FAN INSTALLATION

H-H Dual Power USB Single faceplate (Square & Round)

GUARDIAN AVIONICS <i>Your partner in the sky</i>	
TITLE USB INSTALLATION	
DRAWING NO. USB-250	SH 5 OF 11 REV G



PIN 1 POWER

PIN 5 GROUND

Pin 1 and 5 shown for clarity

TITLE USB INSTALLATION		
DRAWING NO. USB-250	SH 8 OF 11	REV G

FILENAME: USB Inst.dwg