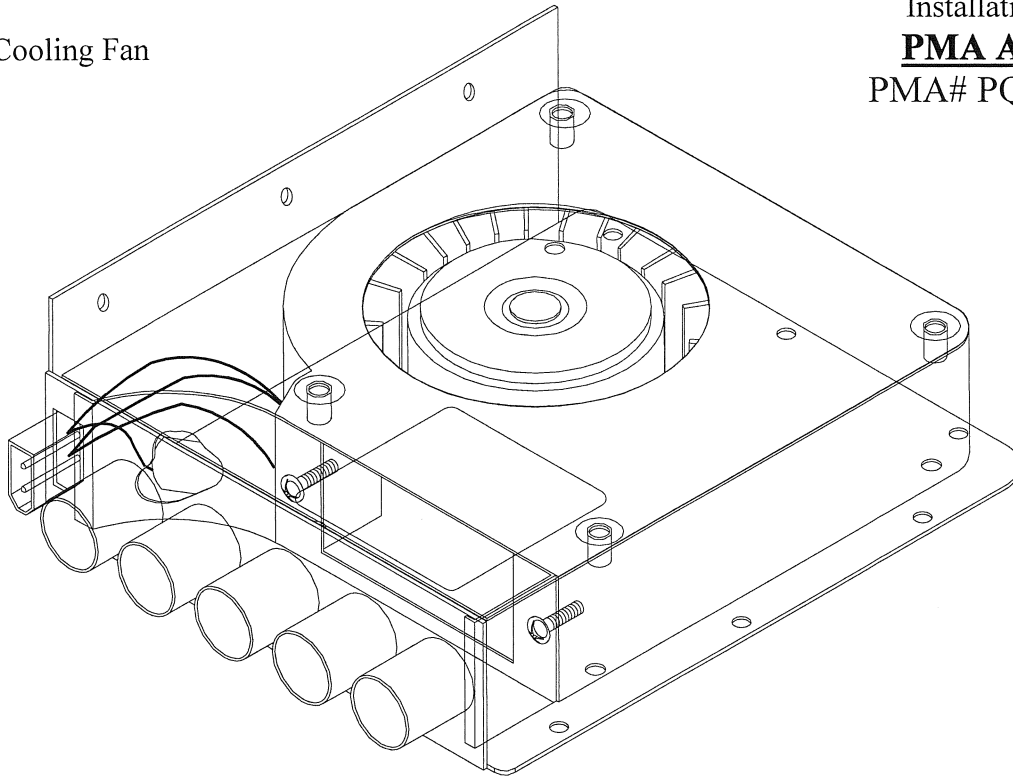


ACF528
Avionics Cooling Fan

Installation Manual
PMA Approved
PMA# PQ0894SW

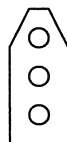


Size
Length 6.80"
Width 2.10"
Height 5.10"

DO-160C Env. Cat.
[A1D1]-CA(MN)XXXXXXXXZBABATZXXX

Electrical
Operating Voltage 28 VDC
Operating Current 500mA
Initial Current Draw 800mA

Environmental
Max. Operating Temp. -20°C to +55°C
Max. Operating Altitude 50,000 Ft.



— Pin 1 A/C A+
— Pin 2 A/C GND
— Pin 3 N/C

Connector and Contact Information

Description	Manufacturer	Series Number	Manu. Part Number	SANDIA Part Number
Connector Housing	Molex	1625	03-06-1032	03-06-1032
Crimp Contact	Molex	1787	02-06-1202	02-06-1202
Hand Crimper Tool	Molex	NA	*11-01-0008 or HTR1719C	NA
Extraction Tool	Molex	NA	*11-03-0002	NA
Insertion Tool	Molex	NA	*11-02-0001	NA

* Or Equivalent Tool

