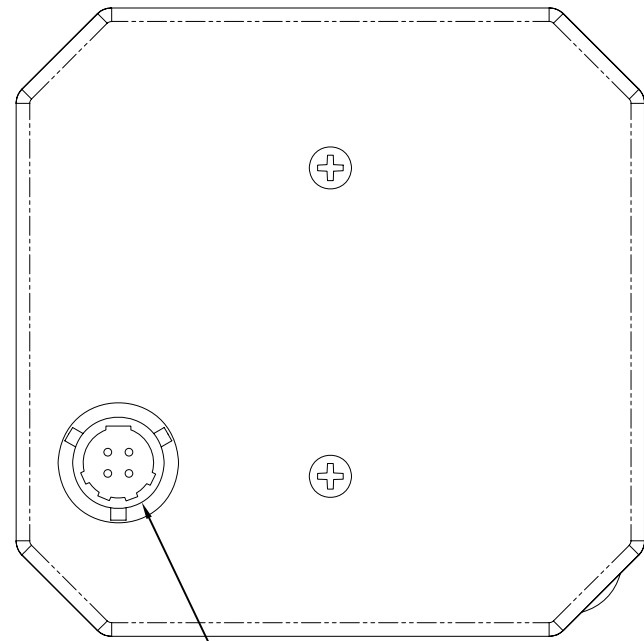


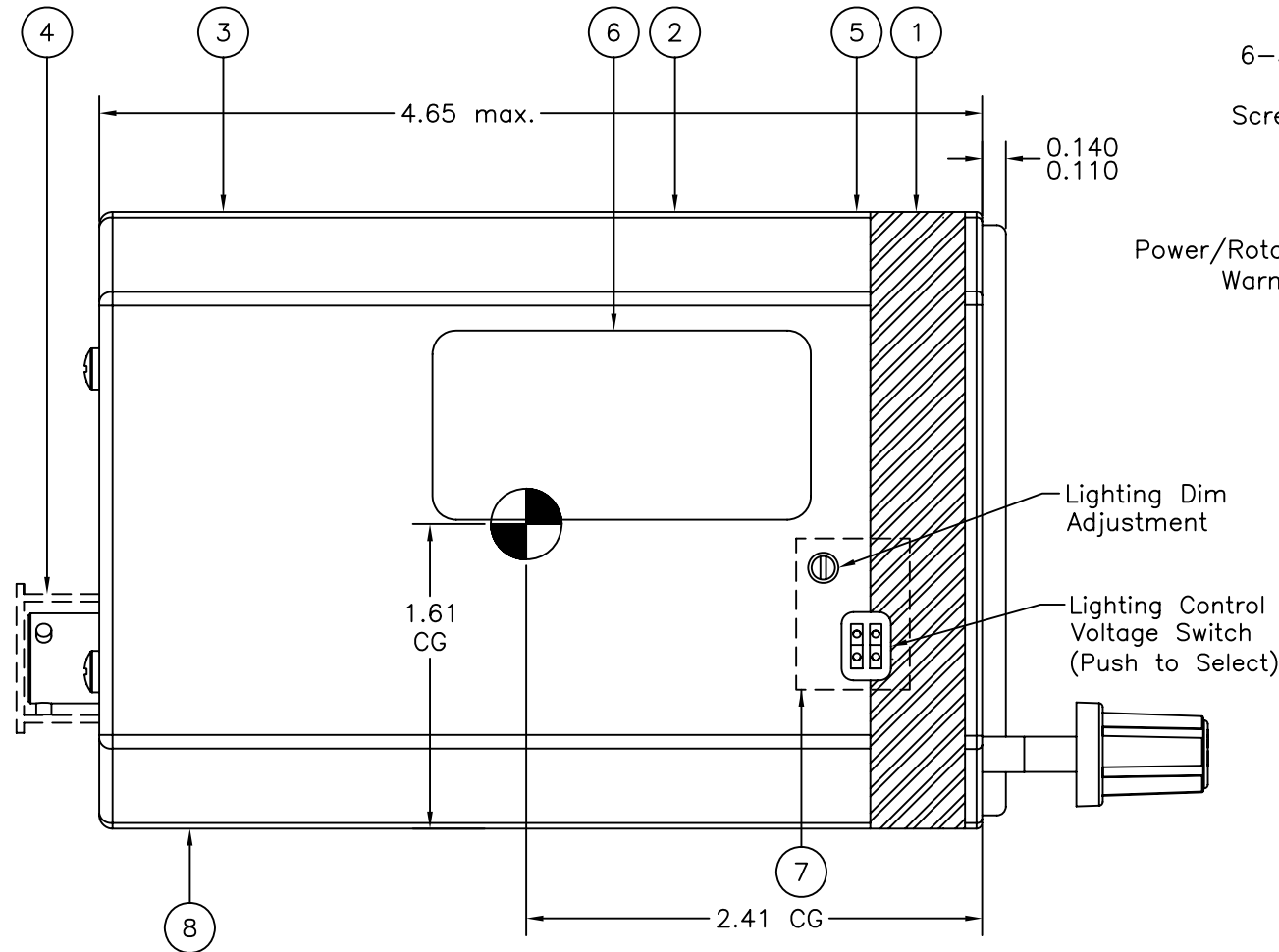
Configuration				
Dash #	DG Assy	Nameplate	Options Decal	Hole Cover Decal
-10	9016455-2	9016465-1	omit	omit
-11	9016455-1	9016465-2	9016157-2	8017212-1

Revisions				
ECO	Rev.	Description	Date	Approved
	A	Production Release. P/N was 4305-210.	1/25/07	JBR/BAW
4811	B	Correct typo: Env. Cat Temp Variation "S2" was "C2".	2/27/07	JBR/BAW
4943	C	Add -11 configuration. Revise pinout for internal lighting. Add Options and Hole Cover Decals.	11/19/07	MCH/BAW
4998	D	Change 8017212 to qty 1. Add TP471-().	3/7/08	MCH/JBR
5166	E	Delete Item 10, black tape, and change Item 7 configuration from 8017212 to 8017212-1.	2/25/09	MKN/Sch

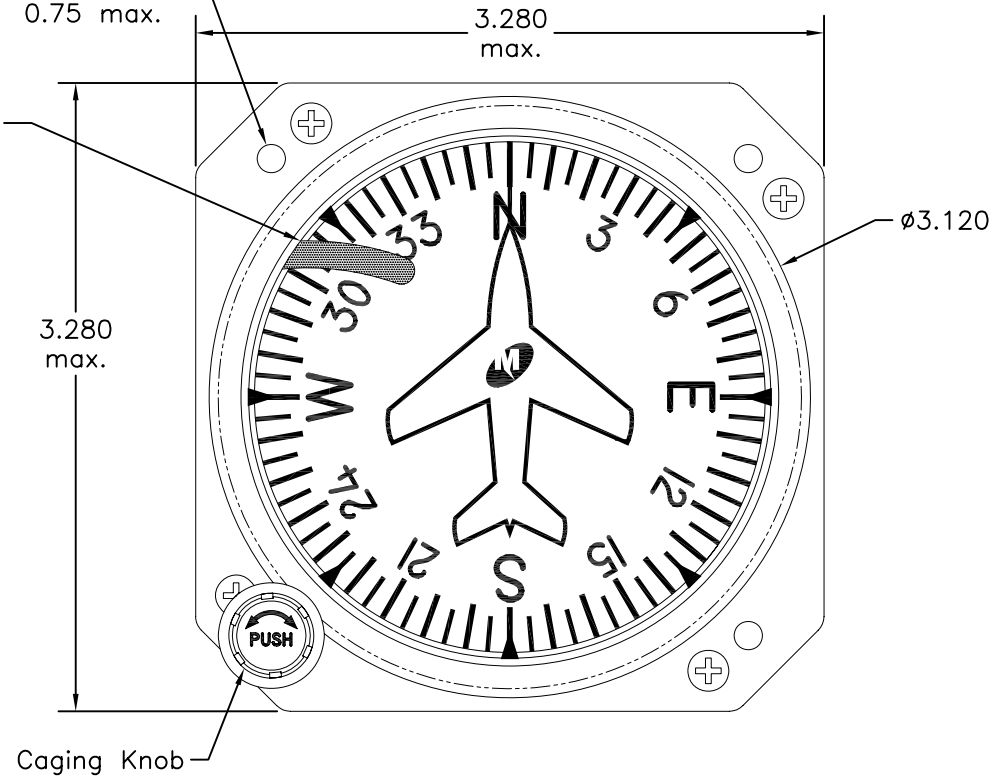


Connector: MS3112E8-4P	
-10 Configuration	-11 Configuration
A Ground (DC)	A Ground (DC)
B +10VDC to 32VDC Input	B Lighting Input
C +10VDC to 32VDC Input	C +10VDC to 32VDC Input
D Reserved	D Reserved

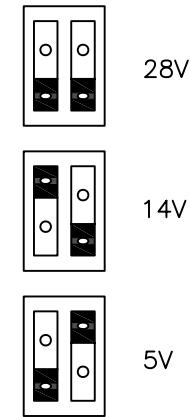
Supply power to pin B or C



6-32UNC-2B holes on
 ø3.500 BC (3 plcs)
 Screw depth into bezel:
 0.75 max.

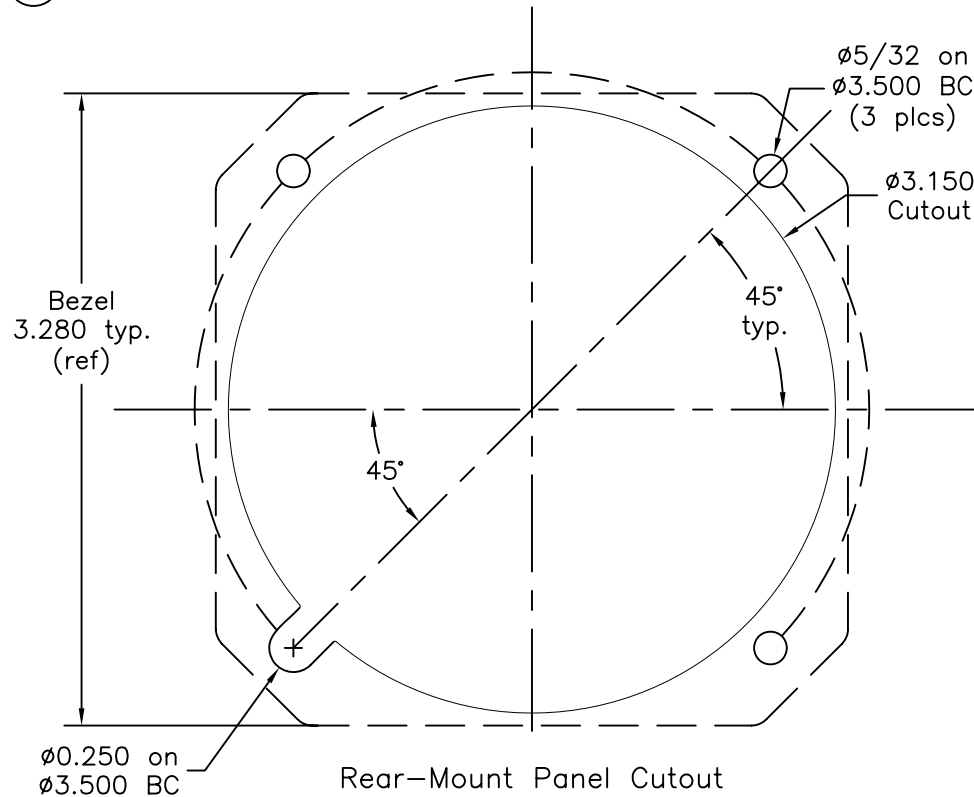


Lighting Control
 Switch Positions
 (3300-11 Only)



Item	Qty	Part Number	Description
1	A/R	8017360	Tape, Acetate
2	1	6018865	Decal, Caution
3	1	See Config.	Nameplate
4	1	8012486-10YF	Cover, Connector
5	1	6018956	Decal, Warranty
6	1	See Config	Decal, Options
7	1	See Config	Decal, Hole Cover
8	1	See Config.	Directional Gyro Assy
9	1	9015514	Mating Connector

Specifications	
Power Input	10 to 32 VDC
Current Rating	At 13.75 VDC Start: 1.4A Max Run: 0.37-0.51A At 27.5 VDC Start: 0.6A Max Run: 0.18-0.25A
Lighting(-11 only)	Internal White LED. Lighting control voltage is selectable for 5V, 14V or 28V DC.
Weight	3300-10: 1.9 lbs. 3300-11: 2.0 lbs.
MTBF	2500 hours
Qualification Tests	FAA TSO-C5e RTCA DO-160E Environmental Category: D1S2AER(B1)XXXXXXZZAZ[JC][WW][M][A3C3X]XXAX
Temperature	-40°C to +55°C Operating
Altitude	+50,000 feet
Connector	MS3116E8-4P
Mating Connector	MS3116F8-4S or equivalent (P/N 9015514)
Color	Index Marks, Text, Symbolic Airplane, Logo: White Bezel, Dial Background: Black Power/Speed Warning Flag: Red
Cover Glass	HEA (Anti-Reflective) Coated



UNLESS OTHERWISE SPECIFIED, ALL DIMENSIONS ARE IN INCHES.
 TOLERANCE:
 FRACTIONAL=±1/64
 .XX=±0.015
 .XXX=±0.005
 .XXXX=±0.002
 ANGULAR=±0.5°
 CONCENTRICITY: 0.005 TIR
 BREAK ALL SHARP EDGES
 THREADS PER MIL-S-7742

DRAWN:
 J. Reed
 8/23/06
 APPROVED:
 BAW
 1/25/07

This document discloses proprietary information of Mid-Continent Instrument Co. It may be reproduced or disclosed only with written permission of Mid-Continent Instrument Co. and is not to be used in any way detrimental to the interests of Mid-Continent Instrument Co.



TITLE: DIRECTIONAL GYRO
 PART NUMBER: 3300