

# Owner's Manual & Safety Instructions

**Save This Manual** Keep this manual for the safety warnings and precautions, assembly, operating, inspection, maintenance and cleaning procedures. Write the product's serial number in the back of the manual near the assembly diagram (or month and year of purchase if product has no number). Keep this manual and the receipt in a safe and dry place for future reference.

17g

## **PITTSBURGH<sup>®</sup> AUTOMOTIVE**

**63686**

### ***Lever Action Grease Gun***



Visit our website at: <http://www.harborfreight.com>  
Email our technical support at: [productsupport@harborfreight.com](mailto:productsupport@harborfreight.com)

When unpacking, make sure that the product is intact and undamaged. If any parts are missing or broken, please call 1-888-866-5797 as soon as possible.

Copyright<sup>®</sup> by Harbor Freight Tools<sup>®</sup>. All rights reserved. No portion of this manual or any artwork contained herein may be reproduced in any shape or form without the express written consent of Harbor Freight Tools. Diagrams within this manual may not be drawn proportionally. Due to continuing improvements, actual product may differ slightly from the product described herein.  
Tools required for assembly and service may not be included.

#### **⚠WARNING**

**Read this material before using this product.  
Failure to do so can result in serious injury.  
SAVE THIS MANUAL.**

# Specifications

Capacity	14 OZ. Standard Grease Cartridge
Function Method	Manual (Piston and Lever)
Extension Pipe	6 IN. Long
Coupler Type	4 Jaw

# Important Safety Information

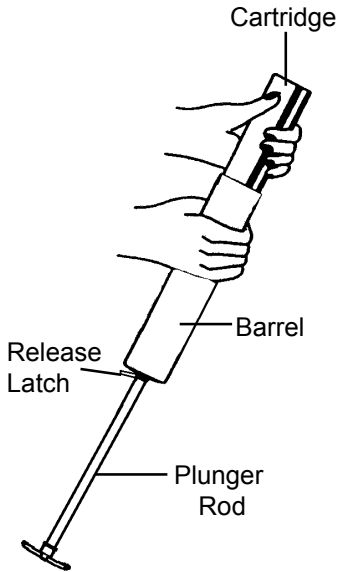
The warnings, cautions, and instructions discussed in this instruction manual cannot cover all possible conditions and situations that may occur. It must be understood by the operator that common sense and caution are factors which cannot be built into this product, but must be supplied by the operator.

1. **Wear ANSI-approved safety goggles and heavy-duty work gloves during use.**
2. **Do not use near open flame.**
3. **Inspect before every use; do not use if parts are loose or damaged.**
4. **Use as intended only.**  
Do not use Grease Gun to hold or dispense any other materials.
5. **Properly load cartridge before use.**
6. **Read grease manufacturer's cautions before use.**
7. **Maintain a firm grip on the tool with both hands.**
8. **Keep body of Grease Gun dry, clean, and free from oil and grease.**
9. **Read and understand all instructions and safety precautions as outlined in the manufacturer's manual for the vehicle (or object) to be lubricated.**
10. **Keep work area clean.**  
Cluttered areas invite injuries.
11. **Keep children away.** Children must never be allowed in the work area.
12. **Store idle equipment.** When not in use, tools must be stored in a dry location to inhibit rust. Always lock up tools and keep out of reach of children.

13. **Dress properly.** Do not wear loose clothing or jewelry as they can be caught in moving parts. Wear restrictive hair covering to contain long hair.
14. **Do not overreach.** Keep proper footing and balance at all times.
15. **Maintain tools with care.** Follow instructions for lubricating and changing accessories.
16. **Stay alert.** Watch what you are doing, use common sense. Do not operate any tool when you are tired.
17. **Check for damaged parts.** Before using any tool, any part that appears damaged should be carefully checked to determine that it will operate properly and perform its intended function. Any part that is damaged should be properly repaired or replaced by a qualified technician.
18. **Replacement parts and accessories.** When servicing, use only identical replacement parts. Use of any other parts will void the warranty.
19. **Do not operate tool if under the influence of alcohol or drugs.** Read warning labels on prescriptions to determine if your judgment or reflexes are impaired while taking drugs. If there is any doubt, do not operate the tool.
20. **Maintenance.** For your safety, service and maintenance should be performed regularly by a qualified technician.

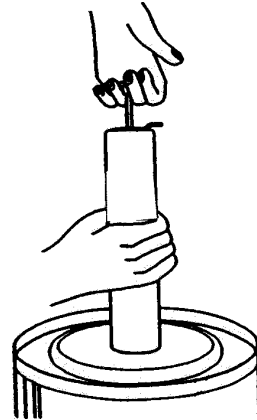
# Filling the Grease Gun

## Installing Grease Cartridge



1. Unscrew and remove the head of the Grease Gun from the Barrel.
2. Pull the Plunger Rod all the way back and ensure it is locked in place.
3. Remove both ends from a 14 ounce grease cartridge (not included), and insert the cartridge into the Barrel in the direction indicated on the cartridge.
4. Screw the Head back onto the Barrel.
5. Depress the Release Latch, and push the Plunger Rod forward as far as possible.

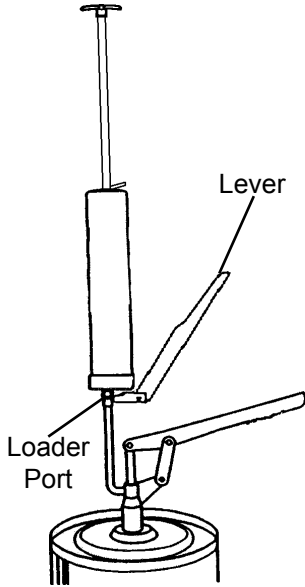
## Suction Filling



**Note:** Before suction filling, the Plunger Seal on the grease rod needs to be rolled upward by hand so that it opens toward the opening of the Barrel. To do this, unscrew grease rod from rear of the barrel and manually roll seal upward. Then reinsert grease rod into barrel.

1. Unscrew and remove the Head from the Barrel.
2. Insert the open end of the Barrel into the grease. Slowly pull the Plunger Rod back while pushing the Barrel deeper into the grease to prevent air pockets from being pulled into the Barrel.
3. When the Plunger Rod is fully extended, remove the Barrel from the grease. Wipe the exterior of the Barrel clean of grease.
4. Then, screw the Head back onto the Barrel.
5. Depress the Release Latch, and push the Plunger Rod back into the Barrel.

## Using a Filler Pump



1. Remove the Loader Cover Screw.
2. Attach the Loader Port of the Grease Gun to the Filler Valve on the grease container.

**WARNING!** Read and understand all safety warnings and instructions as outlined in the owner's manual of the Filler Pump.

3. Operate the Filler Pump on the grease container to fill the Barrel of the Grease Gun.

**Note:** As the grease pumps into the grease gun barrel the plunger handle will extend. Loading is complete when the plunger rod is fully extended.

4. Disconnect the Grease Gun from the Filler Valve on the grease container. Then, depress the Release Latch and push the Plunger Rod forward into the Barrel as far as possible.

## Greasing a Grease Fitting

1. To attach the coupler jaws to a fitting, press the coupler straight onto grease fitting and maintain a tight fit.
2. Operate the grease gun, keeping the coupler square to the fitting.
3. When greasing is complete, twist nozzle of the grease gun and pull back to remove from fitting.

# Operating Instructions



Read the **ENTIRE IMPORTANT SAFETY INFORMATION** section at the beginning of this document including all text under subheadings therein before set up or use of this product.

1. Clean the Grease Gun carefully and completely with a clean cloth before each use.
2. Insert the Coupler of the Grease Gun *fully* onto the *clean* grease fitting of the object you are lubricating.
3. With one hand, hold the Barrel securely. With the other hand, pump the Handle of the Grease Gun several times or until a small amount of grease begins to flow back out of the grease fitting.
4. Remove the Coupler from the grease fitting, and wipe any excess grease from the exterior of the grease fitting and Coupler.
5. When finished, store the Grease Gun in a clean, dry, safe location out of reach of children.

**Note:** If unit is stuck on grease fitting, loosen grease nozzle. See Troubleshooting section.

## Expelling Air Pockets from the Barrel

**NOTE:** If the Grease Gun does not work properly, there may be air pockets in the Barrel. Eliminate air pockets by using EITHER of the following two methods.

1. Press and hold the Air Discharge Valve on the Head.



**Figure A: Air Discharge Valve location**

2. Slowly push the Handle forward to the Barrel until excess air is expelled from the Barrel.

## Maintenance and Servicing

1. Before each use, inspect the general condition of the Grease Gun. Check for cracked or damaged parts, misaligned or binding of moving parts, leaking connections, and any other condition that may affect the product's safe operation.
4. **CAUTION!** All maintenance, service, and repairs not discussed in this manual should only be performed by qualified service technician.

If a problem occurs, have the problem corrected before further use.

**Do not use damaged equipment.**

2. After every use, dry with a soft cloth, remove all grease and debris from the Grease Gun. Do not use solvents to clean or immerse in any liquids.
3. When storing, keep in a clean, dry and safe location away from children.

## Troubleshooting

Problem	Possible Causes	Likely Solutions
Grease gun does not dispense grease.	<ol style="list-style-type: none"> <li>1. Trapped air in grease.</li> <li>2. Cold grease.</li> <li>3. Grease gun extension blocked.</li> <li>4. Plunger rod did not enter the grease cartridge.</li> </ol>	<ol style="list-style-type: none"> <li>1. Loosen gun head. Move plunger rod in &amp; out to remove air pockets. Tighten gun head.</li> <li>2. Warm the gun.</li> <li>3. Remove and clean gun extension.</li> <li>4. Maneuver plunger rod to properly go inside the cartridge.</li> </ol>
Grease leaks from the back of gun.	<ol style="list-style-type: none"> <li>1. Thin grease.</li> <li>2. Rubber follower in the plunger rod is damaged.</li> </ol>	<ol style="list-style-type: none"> <li>1. Use thicker grease.</li> <li>2. Unit needs to be replaced.</li> </ol>
Lever or grip handle cannot be operated.	Gun piston damaged.	Replace gun.
Grease coupler is stuck on the grease fitting.	Grease fitting does not match.	Tilt the coupler, twist & then pull back.

## Limited 90 Day Warranty

Harbor Freight Tools Co. makes every effort to assure that its products meet high quality and durability standards, and warrants to the original purchaser that this product is free from defects in materials and workmanship for the period of 90 days from the date of purchase. This warranty does not apply to damage due directly or indirectly, to misuse, abuse, negligence or accidents, repairs or alterations outside our facilities, criminal activity, improper installation, normal wear and tear, or to lack of maintenance. We shall in no event be liable for death, injuries to persons or property, or for incidental, contingent, special or consequential damages arising from the use of our product. Some states do not allow the exclusion or limitation of incidental or consequential damages, so the above limitation of exclusion may not apply to you. THIS WARRANTY IS EXPRESSLY IN LIEU OF ALL OTHER WARRANTIES, EXPRESS OR IMPLIED, INCLUDING THE WARRANTIES OF MERCHANTABILITY AND FITNESS.

To take advantage of this warranty, the product or part must be returned to us with transportation charges prepaid. Proof of purchase date and an explanation of the complaint must accompany the merchandise. If our inspection verifies the defect, we will either repair or replace the product at our election or we may elect to refund the purchase price if we cannot readily and quickly provide you with a replacement. We will return repaired products at our expense, but if we determine there is no defect, or that the defect resulted from causes not within the scope of our warranty, then you must bear the cost of returning the product.

This warranty gives you specific legal rights and you may also have other rights which vary from state to state.

### Record Serial Number Here:

---

**Note:** If product has no serial number, record month and year of purchase instead.

**PITTSBURGH<sup>®</sup> AUTOMOTIVE**

3491 Mission Oaks Blvd. • PO Box 6009 • Camarillo, CA 93011 • 1-888-866-5797



# Owner's Manual & Safety Instructions

Save This Manual Keep this manual for the safety warnings and precautions, assembly, operating, inspection, maintenance and cleaning procedures. Write the product's serial number in the back of the manual near the assembly diagram (or month and year of purchase if product has no number). Keep this manual and the receipt in a safe and dry place for future reference.

17g

**PITTSBURGH<sup>®</sup> AUTOMOTIVE**

63686

## ***Lever Action Grease Gun***



Visit our website at: <http://www.harborfreight.com>  
Email our technical support at: [productsupport@harborfreight.com](mailto:productsupport@harborfreight.com)

When unpacking, make sure that the product is intact and undamaged. If any parts are missing or broken, please call 1-888-866-5797 as soon as possible.

Copyright© 2017 by Harbor Freight Tools®. All rights reserved.

No portion of this manual or any artwork contained herein may be reproduced in any shape or form without the express written consent of Harbor Freight Tools. Diagrams within this manual may not be drawn proportionally. Due to continuing improvements, actual product may differ slightly from the product described herein. Tools required for assembly and service may not be included.

### **⚠WARNING**

**Read this material before using this product.  
Failure to do so can result in serious injury.  
SAVE THIS MANUAL.**

# Specifications

Capacity	14 OZ. Standard Grease Cartridge
Function Method	Manual (Piston and Lever)
Extension Pipe	6 IN. Long
Coupler Type	4 Jaw

# Important Safety Information

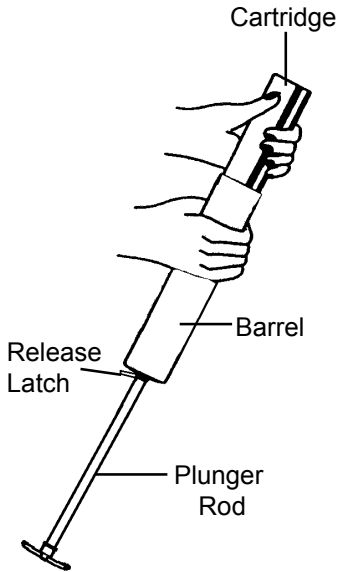
The warnings, cautions, and instructions discussed in this instruction manual cannot cover all possible conditions and situations that may occur. It must be understood by the operator that common sense and caution are factors which cannot be built into this product, but must be supplied by the operator.

1. **Wear ANSI-approved safety goggles and heavy-duty work gloves during use.**
2. **Do not use near open flame.**
3. **Inspect before every use; do not use if parts are loose or damaged.**
4. **Use as intended only.**  
Do not use Grease Gun to hold or dispense any other materials.
5. **Properly load cartridge before use.**
6. **Read grease manufacturer's cautions before use.**
7. **Maintain a firm grip on the tool with both hands.**
8. **Keep body of Grease Gun dry, clean, and free from oil and grease.**
9. **Read and understand all instructions and safety precautions as outlined in the manufacturer's manual for the vehicle (or object) to be lubricated.**
10. **Keep work area clean.**  
Cluttered areas invite injuries.
11. **Keep children away.** Children must never be allowed in the work area.
12. **Store idle equipment.** When not in use, tools must be stored in a dry location to inhibit rust. Always lock up tools and keep out of reach of children.

13. **Dress properly.** Do not wear loose clothing or jewelry as they can be caught in moving parts. Wear restrictive hair covering to contain long hair.
14. **Do not overreach.** Keep proper footing and balance at all times.
15. **Maintain tools with care.** Follow instructions for lubricating and changing accessories.
16. **Stay alert.** Watch what you are doing, use common sense. Do not operate any tool when you are tired.
17. **Check for damaged parts.** Before using any tool, any part that appears damaged should be carefully checked to determine that it will operate properly and perform its intended function. Any part that is damaged should be properly repaired or replaced by a qualified technician.
18. **Replacement parts and accessories.** When servicing, use only identical replacement parts. Use of any other parts will void the warranty.
19. **Do not operate tool if under the influence of alcohol or drugs.** Read warning labels on prescriptions to determine if your judgment or reflexes are impaired while taking drugs. If there is any doubt, do not operate the tool.
20. **Maintenance.** For your safety, service and maintenance should be performed regularly by a qualified technician.

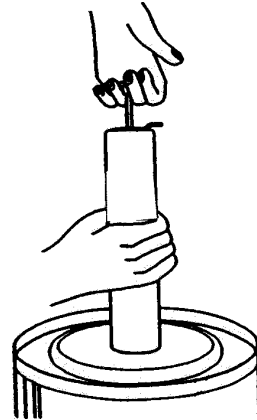
# Filling the Grease Gun

## Installing Grease Cartridge



1. Unscrew and remove the head of the Grease Gun from the Barrel.
2. Pull the Plunger Rod all the way back and ensure it is locked in place.
3. Remove both ends from a 14 ounce grease cartridge (not included), and insert the cartridge into the Barrel in the direction indicated on the cartridge.
4. Screw the Head back onto the Barrel.
5. Depress the Release Latch, and push the Plunger Rod forward as far as possible.

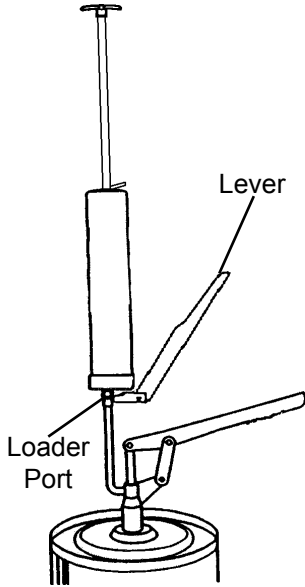
## Suction Filling



**Note:** Before suction filling, the Plunger Seal on the grease rod needs to be rolled upward by hand so that it opens toward the opening of the Barrel. To do this, unscrew grease rod from rear of the barrel and manually roll seal upward. Then reinsert grease rod into barrel.

1. Unscrew and remove the Head from the Barrel.
2. Insert the open end of the Barrel into the grease. Slowly pull the Plunger Rod back while pushing the Barrel deeper into the grease to prevent air pockets from being pulled into the Barrel.
3. When the Plunger Rod is fully extended, remove the Barrel from the grease. Wipe the exterior of the Barrel clean of grease.
4. Then, screw the Head back onto the Barrel.
5. Depress the Release Latch, and push the Plunger Rod back into the Barrel.

## Using a Filler Pump



1. Remove the Loader Cover Screw.
2. Attach the Loader Port of the Grease Gun to the Filler Valve on the grease container.

**WARNING!** Read and understand all safety warnings and instructions as outlined in the owner's manual of the Filler Pump.

3. Operate the Filler Pump on the grease container to fill the Barrel of the Grease Gun.

**Note:** As the grease pumps into the grease gun barrel the plunger handle will extend. Loading is complete when the plunger rod is fully extended.

4. Disconnect the Grease Gun from the Filler Valve on the grease container. Then, depress the Release Latch and push the Plunger Rod forward into the Barrel as far as possible.

## Greasing a Grease Fitting

1. To attach the coupler jaws to a fitting, press the coupler straight onto grease fitting and maintain a tight fit.
2. Operate the grease gun, keeping the coupler square to the fitting.
3. When greasing is complete, twist nozzle of the grease gun and pull back to remove from fitting.

# Operating Instructions



Read the **ENTIRE IMPORTANT SAFETY INFORMATION** section at the beginning of this document including all text under subheadings therein before set up or use of this product.

1. Clean the Grease Gun carefully and completely with a clean cloth before each use.
2. Insert the Coupler of the Grease Gun *fully* onto the *clean* grease fitting of the object you are lubricating.
3. With one hand, hold the Barrel securely. With the other hand, pump the Handle of the Grease Gun several times or until a small amount of grease begins to flow back out of the grease fitting.
4. Remove the Coupler from the grease fitting, and wipe any excess grease from the exterior of the grease fitting and Coupler.
5. When finished, store the Grease Gun in a clean, dry, safe location out of reach of children.

**Note:** If unit is stuck on grease fitting, loosen grease nozzle. See Troubleshooting section.

## Expelling Air Pockets from the Barrel

**NOTE:** If the Grease Gun does not work properly, there may be air pockets in the Barrel. Eliminate air pockets by using EITHER of the following two methods.

1. Press and hold the Air Discharge Valve on the Head.



**Figure A: Air Discharge Valve location**

2. Slowly push the Handle forward to the Barrel until excess air is expelled from the Barrel.

## Maintenance and Servicing

- Before each use, inspect the general condition of the Grease Gun. Check for cracked or damaged parts, misaligned or binding of moving parts, leaking connections, and any other condition that may affect the product's safe operation.
4. **CAUTION!** All maintenance, service, and repairs not discussed in this manual should only be performed by qualified service technician.

If a problem occurs, have the problem corrected before further use.

**Do not use damaged equipment.**

- After every use, dry with a soft cloth, remove all grease and debris from the Grease Gun. Do not use solvents to clean or immerse in any liquids.
- When storing, keep in a clean, dry and safe location away from children.

## Troubleshooting

Problem	Possible Causes	Likely Solutions
Grease gun does not dispense grease.	<ol style="list-style-type: none"> <li>Trapped air in grease.</li> <li>Cold grease.</li> <li>Grease gun extension blocked.</li> <li>Plunger rod did not enter the grease cartridge.</li> </ol>	<ol style="list-style-type: none"> <li>Loosen gun head. Move plunger rod in &amp; out to remove air pockets. Tighten gun head.</li> <li>Warm the gun.</li> <li>Remove and clean gun extension.</li> <li>Maneuver plunger rod to properly go inside the cartridge.</li> </ol>
Grease leaks from the back of gun.	<ol style="list-style-type: none"> <li>Thin grease.</li> <li>Rubber follower in the plunger rod is damaged.</li> </ol>	<ol style="list-style-type: none"> <li>Use thicker grease.</li> <li>Unit needs to be replaced.</li> </ol>
Lever or grip handle cannot be operated.	Gun piston damaged.	Replace gun.
Grease coupler is stuck on the grease fitting.	Grease fitting does not match.	Tilt the coupler, twist & then pull back.

## Limited 90 Day Warranty

Harbor Freight Tools Co. makes every effort to assure that its products meet high quality and durability standards, and warrants to the original purchaser that this product is free from defects in materials and workmanship for the period of 90 days from the date of purchase. This warranty does not apply to damage due directly or indirectly, to misuse, abuse, negligence or accidents, repairs or alterations outside our facilities, criminal activity, improper installation, normal wear and tear, or to lack of maintenance. We shall in no event be liable for death, injuries to persons or property, or for incidental, contingent, special or consequential damages arising from the use of our product. Some states do not allow the exclusion or limitation of incidental or consequential damages, so the above limitation of exclusion may not apply to you. THIS WARRANTY IS EXPRESSLY IN LIEU OF ALL OTHER WARRANTIES, EXPRESS OR IMPLIED, INCLUDING THE WARRANTIES OF MERCHANTABILITY AND FITNESS.

To take advantage of this warranty, the product or part must be returned to us with transportation charges prepaid. Proof of purchase date and an explanation of the complaint must accompany the merchandise. If our inspection verifies the defect, we will either repair or replace the product at our election or we may elect to refund the purchase price if we cannot readily and quickly provide you with a replacement. We will return repaired products at our expense, but if we determine there is no defect, or that the defect resulted from causes not within the scope of our warranty, then you must bear the cost of returning the product.

This warranty gives you specific legal rights and you may also have other rights which vary from state to state.

### **Record Serial Number Here:**

---

**Note:** If product has no serial number, record month and year of purchase instead.

**PITTSBURGH<sup>®</sup> AUTOMOTIVE**

3491 Mission Oaks Blvd. • PO Box 6009 • Camarillo, CA 93011 • 1-888-866-5797